

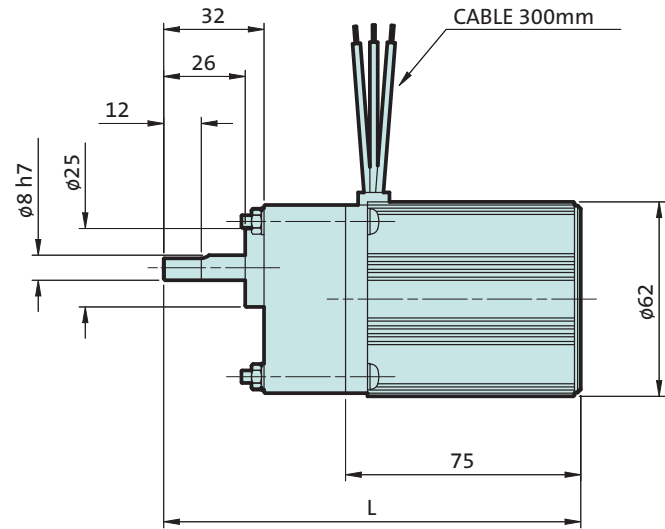
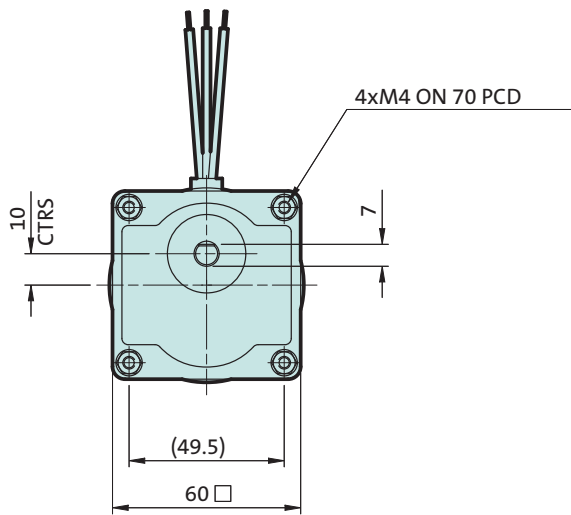
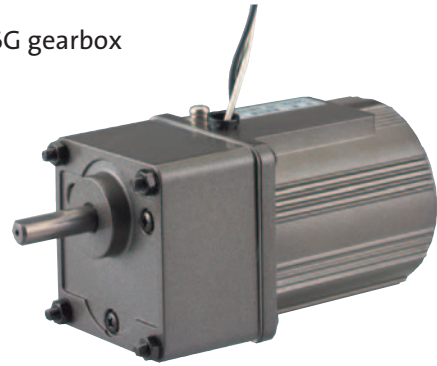
Panasonic | 6W 1 phase Standard & Quick Reversible

**6W
1 phase**

Standard induction motors are suitable for fixed speed applications. Quick Reversible motors have a built-in braking system for reduced overrun and fast reversing.

- Rated 230V ± 10% and 50 Hz
- Continuous duty S1
- Enclosure IP22 (cable downwards)
- Supplied with run capacitor (0.6µF Standard, 0.8µF QR)
- Thermal protection by impedance current limiting
- RoHS compliant

MX6G gearbox



Nominal speed r/min	Gearbox model number	Standard Induction Motor Model Number : M61X6G4GGA			Quick Reversible Motor Model Number : M6RX6G4GGA			Length L	Weight kg	
		Actual speed @230V	Rated torque Nm	Assembly number	Actual speed @230V	Rated torque Nm	Assembly number			
500	MX6G 3BA	417	0.1	PAN G3 006 1GG 500.0 XL1	433	0.1	PAN G3 006 RGG 500.0 XL1	133	1.0	
300	MX6G 5BA	250	0.2	PAN G3 006 1GG 300.0 XL1	260	0.2	PAN G3 006 RGG 300.0 XL1	133		
200	MX6G 7.5BA	167	0.3	PAN G3 006 1GG 200.0 XL1	173	0.3	PAN G3 006 RGG 200.0 XL1	133		
150	MX6G 10BA	125	0.4	PAN G3 006 1GG 150.0 XL1	130	0.4	PAN G3 006 RGG 150.0 XL1	133		
100	MX6G 15BA	83	0.6	PAN G3 006 1GG 100.0 XL1	87	0.5	PAN G3 006 RGG 100.0 XL1	133		
75	MX6G 20BA	63	0.7	PAN G3 006 1GG 075.0 XL1	65	0.7	PAN G3 006 RGG 075.0 XL1	133		
60	MX6G 25BA	50	0.9	PAN G3 006 1GG 060.0 XL1	52	0.9	PAN G3 006 RGG 060.0 XL1	133		
50	MX6G 30B	42	1.0	PAN G3 006 1GG 050.0 XL1	43	1.0	PAN G3 006 RGG 050.0 XL1	140		
30	MX6G 50B	25	1.7	PAN G3 006 1GG 030.0 XL1	26	1.7	PAN G3 006 RGG 030.0 XL1	140		
20	MX6G 75B*	17	2.3	PAN G3 006 1GG 020.0 XL1	17	2.5	PAN G3 006 RGG 020.0 XL1	140		
15	MX6G 100B*	13	2.5	PAN G3 006 1GG 015.0 XL1	13	2.5	PAN G3 006 RGG 015.0 XL1	140		
12.5	MX6G 120B*	10	2.5	PAN G3 006 1GG 012.5 XL1	11	2.5	PAN G3 006 RGG 012.5 XL1	140		
10	MX6G 150B*	8.3	2.5	PAN G3 006 1GG 010.0 XL1	8.7	2.5	PAN G3 006 RGG 010.0 XL1	140		
8.3	MX6G 180B*	6.9	2.5	PAN G3 006 1GG 008.3 XL1	7.2	2.5	PAN G3 006 RGG 008.3 XL1	140		
MX6G 10XB*		Additional gearbox MX6G 10XB is included for speeds of 7.5 r/min and below								
7.5	MX6G 20BA*	6.3	2.5	PAN G3 006 1GG 007.5 XL1	6.5	2.5	PAN G3 006 RGG 007.5 XL1	157.5	1.2	
6.0	MX6G 25BA*	5.0	2.5	PAN G3 006 1GG 006.0 XL1	5.2	2.5	PAN G3 006 RGG 006.0 XL1	157.5		
5.0	MX6G 30B*	4.2	2.5	PAN G3 006 1GG 005.0 XL1	4.3	2.5	PAN G3 006 RGG 005.0 XL1	164.5		
3.0	MX6G 50B*	2.5	2.5	PAN G3 006 1GG 003.0 XL1	2.6	2.5	PAN G3 006 RGG 003.0 XL1	164.5		
2.0	MX6G 75B*	1.7	2.5	PAN G3 006 1GG 002.0 XL1	1.7	2.5	PAN G3 006 RGG 002.0 XL1	164.5		
1.5	MX6G 100B*	1.3	2.5	PAN G3 006 1GG 001.5 XL1	1.3	2.5	PAN G3 006 RGG 001.5 XL1	164.5		
1.3	MX6G 120B*	1.0	2.5	PAN G3 006 1GG 001.3 XL1	1.1	2.5	PAN G3 006 RGG 001.3 XL1	164.5		
1.0	MX6G 150B*	0.8	2.5	PAN G3 006 1GG 001.0 XL1	0.9	2.5	PAN G3 006 RGG 001.0 XL1	164.5		
0.8	MX6G 180B*	0.7	2.5	PAN G3 006 1GG 000.8 XL1	0.7	2.5	PAN G3 006 RGG 000.8 XL1	164.5		

* torque limiter recommended

The last digit '1' signifies standard mounting position 1 as shown. For further mounting positions please see page 7.

Motor details see page 38.

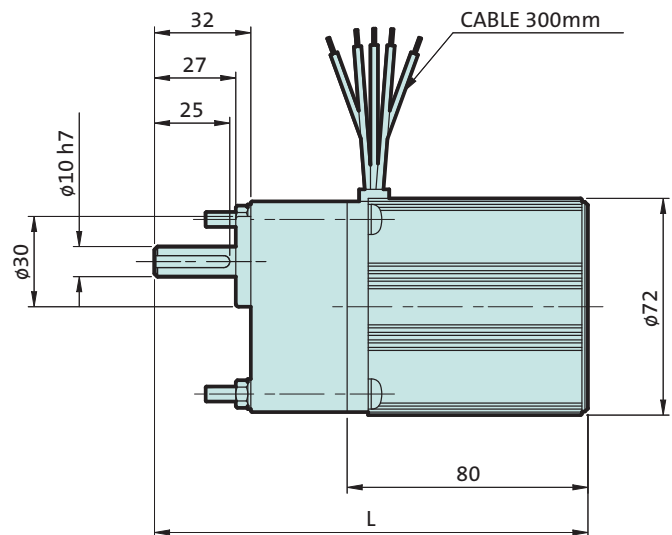
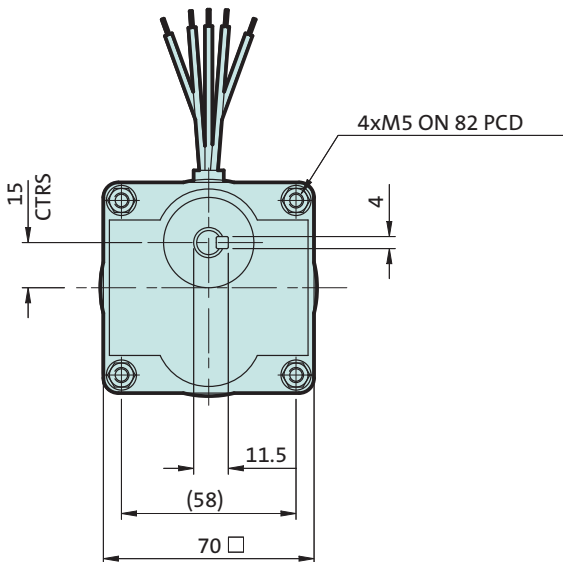
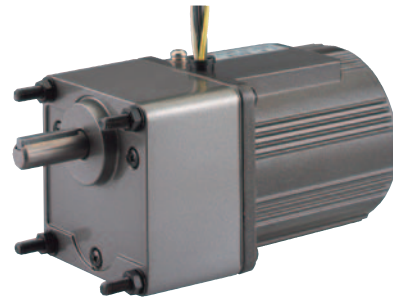
Panasonic | 15W 1 phase Standard & Quick Reversible

**15W
1 phase**

Standard induction motors are suitable for fixed speed applications. Quick Reversible motors have a built-in braking system for reduced overrun and fast reversing.

- Rated 230V ± 10% and 50 Hz
- Continuous duty S1
- Enclosure IP22 (cable downwards)
- Supplied with run capacitor (Standard 1.2µF, 1.3µF for Quick Reversible)
- Integrated thermal protection switch (For external connection)
- RoHS compliant

MX7G gearbox



Nominal speed r/min	Gearbox model number	Standard Induction Motor Model Number : M71X15G4GGA			Quick Reversible Motor Model Number : M7RX15G4GGA			Length L	Weight kg	
		Actual speed @230V	Rated torque Nm	Assembly number	Actual speed @230V	Rated torque Nm	Assembly number			
500	MX7G 3BA	433	0.3	PAN G3 015 1GG 500.0 XL1	433	0.3	PAN G3 015 RGG 500.0 XL1	142	1.6	
300	MX7G 5BA	260	0.4	PAN G3 015 1GG 300.0 XL1	260	0.4	PAN G3 015 RGG 300.0 XL1	142		
200	MX7G 7.5BA	173	0.7	PAN G3 015 1GG 200.0 XL1	173	0.7	PAN G3 015 RGG 200.0 XL1	142		
150	MX7G 10BA	130	0.9	PAN G3 015 1GG 150.0 XL1	130	0.9	PAN G3 015 RGG 150.0 XL1	142		
100	MX7G 15BA	87	1.3	PAN G3 015 1GG 100.0 XL1	87	1.3	PAN G3 015 RGG 100.0 XL1	142		
75	MX7G 20BA	65	1.8	PAN G3 015 1GG 075.0 XL1	65	1.8	PAN G3 015 RGG 075.0 XL1	142		
60	MX7G 25BA	52	2.2	PAN G3 015 1GG 060.0 XL1	52	2.2	PAN G3 015 RGG 060.0 XL1	142		
50	MX7G 30B	43	2.5	PAN G3 015 1GG 050.0 XL1	43	2.5	PAN G3 015 RGG 050.0 XL1	148		
30	MX7G 50B	26	4.1	PAN G3 015 1GG 030.0 XL1	26	4.1	PAN G3 015 RGG 030.0 XL1	148		
20	MX7G 75B*	17	4.9	PAN G3 015 1GG 020.0 XL1	17	4.9	PAN G3 015 RGG 020.0 XL1	148		
15	MX7G 100B*	13	4.9	PAN G3 015 1GG 015.0 XL1	13	4.9	PAN G3 015 RGG 015.0 XL1	148		
12.5	MX7G 120B*	11	4.9	PAN G3 015 1GG 012.5 XL1	11	4.9	PAN G3 015 RGG 012.5 XL1	148		
10	MX7G 150B*	8.7	4.9	PAN G3 015 1GG 010.0 XL1	8.7	4.9	PAN G3 015 RGG 010.0 XL1	148		
8.3	MX7G 180B*	7.2	4.9	PAN G3 015 1GG 008.3 XL1	7.2	4.9	PAN G3 015 RGG 008.3 XL1	148		
MX7G 10XB* Additional gearbox MX7G 10XB is included for speeds of 7.5 r/min and below										
7.5	MX7G 20BA*	6.5	4.9	PAN G3 015 1GG 007.5 XL1	6.5	4.9	PAN G3 015 RGG 007.5 XL1	170		2.0
6.0	MX7G 25BA*	5.2	4.9	PAN G3 015 1GG 006.0 XL1	5.2	4.9	PAN G3 015 RGG 006.0 XL1	170		
5.0	MX7G 30B*	4.3	4.9	PAN G3 015 1GG 005.0 XL1	4.3	4.9	PAN G3 015 RGG 005.0 XL1	176		
3.0	MX7G 50B*	2.6	4.9	PAN G3 015 1GG 003.0 XL1	2.6	4.9	PAN G3 015 RGG 003.0 XL1	176		
2.0	MX7G 75B*	1.7	4.9	PAN G3 015 1GG 002.0 XL1	1.7	4.9	PAN G3 015 RGG 002.0 XL1	176		
1.5	MX7G 100B*	1.3	4.9	PAN G3 015 1GG 001.5 XL1	1.3	4.9	PAN G3 015 RGG 001.5 XL1	176		
1.3	MX7G 120B*	1.1	4.9	PAN G3 015 1GG 001.3 XL1	1.1	4.9	PAN G3 015 RGG 001.3 XL1	176		
1.0	MX7G 150B*	0.9	4.9	PAN G3 015 1GG 001.0 XL1	0.9	4.9	PAN G3 015 RGG 001.0 XL1	176		
0.8	MX7G 180B*	0.7	4.9	PAN G3 015 1GG 000.8 XL1	0.7	4.9	PAN G3 015 RGG 000.8 XL1	176		

* torque limiter recommended

The last digit '1' signifies standard mounting position 1 as shown. For further mounting positions please see page 7.

Motor details see page 38.

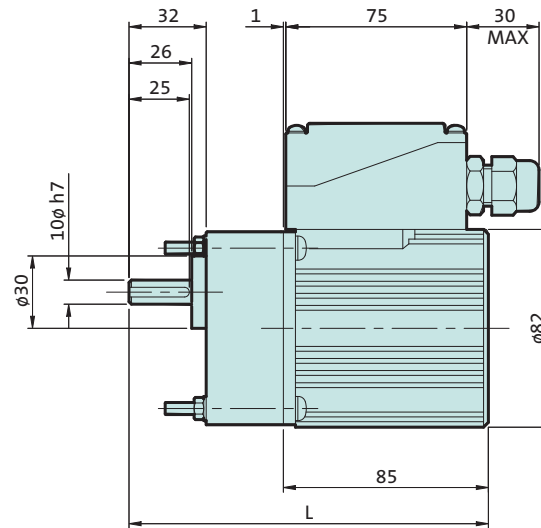
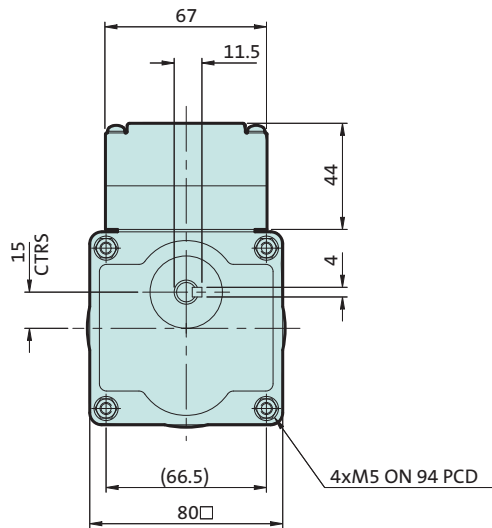
Panasonic | 25W 1 phase Standard & Quick Reversible

**25W
1 phase**

Standard induction motors are suitable for fixed speed applications. Quick Reversible motors have a built-in braking system for reduced overrun and fast reversing.

- Rated 230V ± 10% and 50 Hz
- Continuous duty S1
- Enclosure IP54
- Supplied with run capacitor (1.5µF for standard, 2.0µF for Quick Reversible)
- Integrated thermal protection switch (For external connection)
- RoHS compliant

MX8G gearbox



Nominal speed r/min	Gearbox model number	Standard Induction Motor Model Number : M81X25GK4GGA			Quick Reversible Motor Model Number : M8RX25GK4GG1			Length L	Weight kg
		Actual speed @230V	Rated torque Nm	Assembly number	Actual speed @230V	Rated torque Nm	Assembly number		
500	MX8G 3B	417	0.5	PAN G3 025 1GG 500.0 XK1	425	0.5	PAN G3 025 RGG 500.0 XK1	147	2.2
300	MX8G 5B	250	0.8	PAN G3 025 1GG 300.0 XK1	255	0.8	PAN G3 025 RGG 300.0 XK1	147	
200	MX8G 7.5B	167	1.2	PAN G3 025 1GG 200.0 XK1	170	1.2	PAN G3 025 RGG 200.0 XK1	147	
150	MX8G 10B	125	1.5	PAN G3 025 1GG 150.0 XK1	128	1.5	PAN G3 025 RGG 150.0 XK1	147	
100	MX8G 15B	83	2.3	PAN G3 025 1GG 100.0 XK1	85	2.3	PAN G3 025 RGG 100.0 XK1	147	
75	MX8G 20B	63	3.1	PAN G3 025 1GG 075.0 XK1	64	3.1	PAN G3 025 RGG 075.0 XK1	147	
60	MX8G 25B	50	3.8	PAN G3 025 1GG 060.0 XK1	51	3.8	PAN G3 025 RGG 060.0 XK1	147	
50	MX8G 30B	42	4.3	PAN G3 025 1GG 050.0 XK1	43	4.3	PAN G3 025 RGG 050.0 XK1	147	
30	MX8G 50B	25	7.1	PAN G3 025 1GG 030.0 XK1	26	7.1	PAN G3 025 RGG 030.0 XK1	147	
20	MX8G 75B*	17	7.8	PAN G3 025 1GG 020.0 XK1	17	7.8	PAN G3 025 RGG 020.0 XK1	147	
15	MX8G 100B*	13	7.8	PAN G3 025 1GG 015.0 XK1	13	7.8	PAN G3 025 RGG 015.0 XK1	147	
12.5	MX8G 120B*	10	7.8	PAN G3 025 1GG 012.5 XK1	11	7.8	PAN G3 025 RGG 012.5 XK1	147	
10	MX8G 150B*	8.3	7.8	PAN G3 025 1GG 010.0 XK1	8.5	7.8	PAN G3 025 RGG 010.0 XK1	147	
8.3	MX8G 180B*	6.9	7.8	PAN G3 025 1GG 008.3 XK1	7.1	7.8	PAN G3 025 RGG 008.3 XK1	147	
MX8G 10XB* Additional gearbox MX8G 10XB is included for speeds of 7.5 r/min and below									
7.5	MX8G 20B*	6.3	7.8	PAN G3 025 1GG 007.5 XK1	6.4	7.8	PAN G3 025 RGG 007.5 XK1	177	2.6
6.0	MX8G 25B*	5.0	7.8	PAN G3 025 1GG 006.0 XK1	5.1	7.8	PAN G3 025 RGG 006.0 XK1	177	
5.0	MX8G 30B*	4.2	7.8	PAN G3 025 1GG 005.0 XK1	4.3	7.8	PAN G3 025 RGG 005.0 XK1	177	
3.0	MX8G 50B*	2.5	7.8	PAN G3 025 1GG 003.0 XK1	2.6	7.8	PAN G3 025 RGG 003.0 XK1	177	
2.0	MX8G 75B*	1.7	7.8	PAN G3 025 1GG 002.0 XK1	1.7	7.8	PAN G3 025 RGG 002.0 XK1	177	
1.5	MX8G 100B*	1.3	7.8	PAN G3 025 1GG 001.5 XK1	1.3	7.8	PAN G3 025 RGG 001.5 XK1	177	
1.3	MX8G 120B*	1.0	7.8	PAN G3 025 1GG 001.3 XK1	1.1	7.8	PAN G3 025 RGG 001.3 XK1	177	
1.0	MX8G 150B*	0.8	7.8	PAN G3 025 1GG 001.0 XK1	0.9	7.8	PAN G3 025 RGG 001.0 XK1	177	
0.8	MX8G 180B*	0.7	7.8	PAN G3 025 1GG 000.8 XK1	0.7	7.8	PAN G3 025 RGG 000.8 XK1	177	

* torque limiter recommended

The last digit '1' signifies standard mounting position 1 as shown. For further mounting positions please see page 7.

Motor details see page 38.

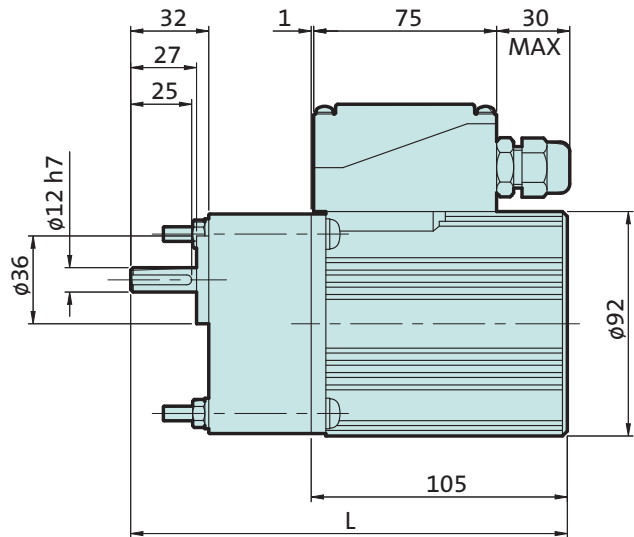
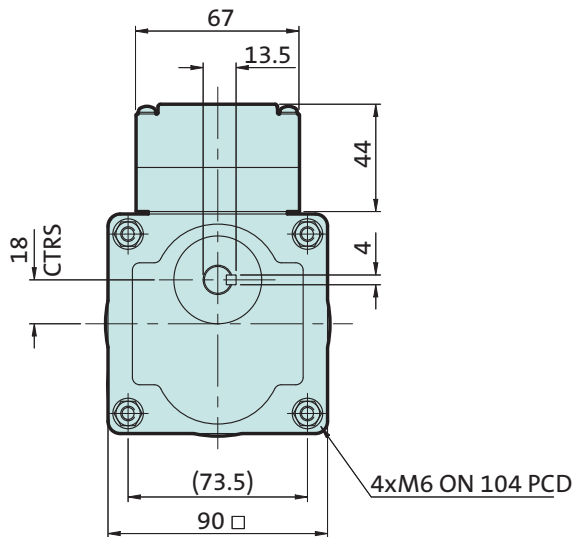
Panasonic | 40W 1 phase Standard & Quick Reversible

**40W
1 phase**

Standard induction motors are suitable for fixed speed applications. Quick Reversible motors have a built-in braking system for reduced overrun and fast reversing.

- Rated 230V ± 10% and 50 Hz
- Standard induction motor rated S1, Quick Reversible S2 intermittent duty
- Enclosure IP54
- Supplied with run capacitor (Standard Induction 2.5 μF, Quick Reversible 3.5μF)
- Integrated thermal protection switch (For external connection)
- RoHS compliant

MX9G gearbox



Nominal speed r/min	Gearbox model number	Standard Induction Motor Model Number : M91X40GK4GGA			Quick Reversible Motor Model Number : M9RX40GK4GG1			Length L	Weight kg
		Actual speed @230V	Rated torque Nm	Assembly number	Actual speed @230V	Rated torque Nm	Assembly number		
500	MX9G 3B	425	0.7	PAN G3 040 1GG 500.0 XK1	434	0.8	PAN G3 040 RGG 500.0 XK1	174	3.6
300	MX9G 5B	255	1.1	PAN G3 040 1GG 300.0 XK1	260	1.3	PAN G3 040 RGG 300.0 XK1	174	
200	MX9G 7.5B	170	1.7	PAN G3 040 1GG 200.0 XK1	173	2.0	PAN G3 040 RGG 200.0 XK1	174	
150	MX9G 10B	128	2.3	PAN G3 040 1GG 150.0 XK1	130	2.7	PAN G3 040 RGG 150.0 XK1	174	
100	MX9G 15B	85	3.4	PAN G3 040 1GG 100.0 XK1	87	4.0	PAN G3 040 RGG 100.0 XK1	174	
75	MX9G 20B	64	4.2	PAN G3 040 1GG 075.0 XK1	65	5.0	PAN G3 040 RGG 075.0 XK1	174	
60	MX9G 25B	51	5.3	PAN G3 040 1GG 060.0 XK1	52	6.2	PAN G3 040 RGG 060.0 XK1	174	
50	MX9G 30B	43	6.3	PAN G3 040 1GG 050.0 XK1	43	7.4	PAN G3 040 RGG 050.0 XK1	174	
30	MX9G 50B	26	9.8	PAN G3 040 1GG 030.0 XK1	26	9.8	PAN G3 040 RGG 030.0 XK1	174	
20	MX9G 75B*	17	9.8	PAN G3 040 1GG 020.0 XK1	17	9.8	PAN G3 040 RGG 020.0 XK1	174	
15	MX9G 100B*	13	9.8	PAN G3 040 1GG 015.0 XK1	13	9.8	PAN G3 040 RGG 015.0 XK1	174	
12.5	MX9G120B*	11	9.8	PAN G3 040 1GG 012.5 XK1	11	9.8	PAN G3 040 RGG 012.5 XK1	174	
10	MX9G 150B*	8.5	9.8	PAN G3 040 1GG 010.0 XK1	8.7	9.8	PAN G3 040 RGG 010.0 XK1	174	
8.3	MX9G 180B*	7.1	9.8	PAN G3 040 1GG 008.3 XK1	7.2	9.8	PAN G3 040 RGG 008.3 XK1	174	
MX9G 10XB* Additional gearbox MX9G 10XB is included for speeds of 7.5 r/min and below									
7.5	MX9G 20B*	6.4	9.8	PAN G3 040 1GG 007.5 XK1	6.5	9.8	PAN G3 040 RGG 007.5 XK1	209	4.1
6.0	MX9G 25B*	5.1	9.8	PAN G3 040 1GG 006.0 XK1	5.2	9.8	PAN G3 040 RGG 006.0 XK1	209	
5.0	MX9G 30B*	4.3	9.8	PAN G3 040 1GG 005.0 XK1	4.3	9.8	PAN G3 040 RGG 005.0 XK1	209	
3.0	MX9G 50B*	2.6	9.8	PAN G3 040 1GG 003.0 XK1	2.6	9.8	PAN G3 040 RGG 003.0 XK1	209	
2.0	MX9G 75B*	1.7	9.8	PAN G3 040 1GG 002.0 XK1	1.7	9.8	PAN G3 040 RGG 002.0 XK1	209	
1.5	MX9G 100B*	1.3	9.8	PAN G3 040 1GG 001.5 XK1	1.3	9.8	PAN G3 040 RGG 001.5 XK1	209	
1.3	MX9G 120B*	1.1	9.8	PAN G3 040 1GG 001.3 XK1	1.1	9.8	PAN G3 040 RGG 001.3 XK1	209	
1.0	MX9G 150B*	0.9	9.8	PAN G3 040 1GG 001.0 XK1	0.9	9.8	PAN G3 040 RGG 001.0 XK1	209	
0.8	MX9G 180B*	0.7	9.8	PAN G3 040 1GG 000.8 XK1	0.7	9.8	PAN G3 040 RGG 000.8 XK1	209	

* torque limiter recommended

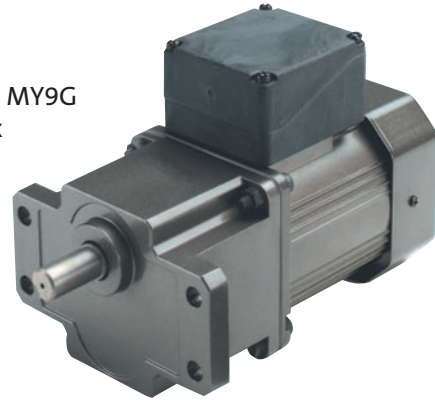
The last digit '1' signifies standard mounting position 1 as shown. For further mounting positions please see page 7.

Motor details see page 38.

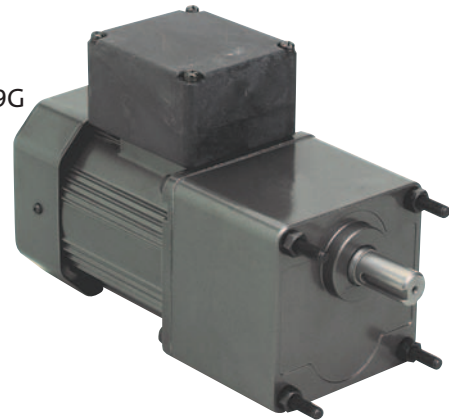
Panasonic | 60W 1 phase Standard & Quick Reversible

Standard induction motors are suitable for fixed speed applications. Quick Reversible motors have a built-in braking system for reduced overrun and fast reversing. Both models are available with flanged or square gearboxes.

Flanged MY9G gearbox



Square MZ9G gearbox



- Rated 230V ± 10% and 50 Hz
- Continuous duty S1
- Enclosure IP54
- Supplied with run capacitor (Standard 4.5µF, QR 5.0µF)
- Integrated thermal protection switch (For external connection)
- RoHS compliant

Nominal speed r/min	Gearbox model number	Standard Induction Motor Model Number : M91Z60GK4GGA			Quick Reversible Motor Model Number : M9RZ60GK4GG1			Length L	Weight kg	
		Actual speed @230V	Rated torque Nm	Assembly number	Actual speed @230V	Rated torque Nm	Assembly number			
500	M#9G 3B	408	1.1	PAN G3 060 1GG 500.0 #K1	433	1.1	PAN G3 060 RGG 500.0 # K1	218	4.2	
300	M#9G 5B	260	1.8	PAN G3 060 1GG 300.0 #K1	260	1.8	PAN G3 060 RGG 300.0 # K1	218		
200	M#9G 7.5B	173	2.7	PAN G3 060 1GG 200.0 #K1	173	2.7	PAN G3 060 RGG 200.0 # K1	218		
150	M#9G 10B	130	3.5	PAN G3 060 1GG 150.0 #K1	130	3.4	PAN G3 060 RGG 150.0 # K1	218		
100	M#9G 15B	87	5.0	PAN G3 060 1GG 100.0 #K1	87	5	PAN G3 060 RGG 100.0 # K1	218		
75	M#9G 20B	65	6.6	PAN G3 060 1GG 075.0 #K1	65	6.2	PAN G3 060 RGG 075.0 # K1	218		
60	M#9G 25B	52	8.3	PAN G3 060 1GG 060.0 #K1	52	7.7	PAN G3 060 RGG 060.0 # K1	218		
50	M#9G 30B	43	9.9	PAN G3 060 1GG 050.0 #K1	43	9.2	PAN G3 060 RGG 050.0 # K1	218		
30	M#9G 50B	26	15.4	PAN G3 060 1GG 030.0 #K1	26	15.4	PAN G3 060 RGG 030.0 # K1	218		
20	M#9G 75B*	17	19.6	PAN G3 060 1GG 020.0 #K1	17.3	19.6	PAN G3 060 RGG 020.0 # K1	218		
15	M#9G 100B*	13	19.6	PAN G3 060 1GG 015.0 #K1	13.0	19.6	PAN G3 060 RGG 015.0 # K1	218		
12.5	M#9G 120B*	11	19.6	PAN G3 060 1GG 012.5 #K1	10.8	19.6	PAN G3 060 RGG 012.5 # K1	218		
10	M#9G 150B*	8.7	19.6	PAN G3 060 1GG 010.0 #K1	8.7	19.6	PAN G3 060 RGG 010.0 # K1	218		
7.5	M#9G 200B*	6.5	19.6	PAN G3 060 1GG 007.5 #K1	6.5	19.6	PAN G3 060 RGG 007.5 # K1	218		
MZ9G 10XB*		Additional gearbox MZ9G 10XB is included for speeds of 6.0 r/min and below								
6.0	M#9G 25B*	5.2	19.6	PAN G3 060 1GG 006.0 #K1	5.2	19.6	PAN G3 060 RGG 007.5 # K1	261	4.9	
5.0	M#9G 30B*	4.3	19.6	PAN G3 060 1GG 005.0 #K1	4.3	19.6	PAN G3 060 RGG 005.0 # K1	261		
3.0	M#9G 50B*	2.6	19.6	PAN G3 060 1GG 003.0 #K1	2.6	19.6	PAN G3 060 RGG 003.0 # K1	261		
2.0	M#9G 75B*	1.7	19.6	PAN G3 060 1GG 002.0 #K1	1.7	19.6	PAN G3 060 RGG 002.0 # K1	261		
1.5	M#9G 100B*	1.3	19.6	PAN G3 060 1GG 001.5 #K1	1.3	19.6	PAN G3 060 RGG 001.5 # K1	261		
1.3	M#9G 120B*	1.1	19.6	PAN G3 060 1GG 001.3 #K1	1.1	19.6	PAN G3 060 RGG 001.3 # K1	261		
1.0	M#9G 150B*	0.9	19.6	PAN G3 060 1GG 001.0 #K1	0.9	19.6	PAN G3 060 RGG 001.0 # K1	261		
0.8	M#9G 180B*	0.7	19.6	PAN G3 060 1GG 000.8 #K1	0.7	19.6	PAN G3 060 RGG 000.8 # K1	261		
0.7	M#9G 200B*	0.7	19.6	PAN G3 060 1GG 000.7 #K1	0.6	19.6	PAN G3 060 RGG 000.7 # K1	261		

HIGHER TORQUES – available from 30 r/min and slower speeds, see following 60W high torque pages.

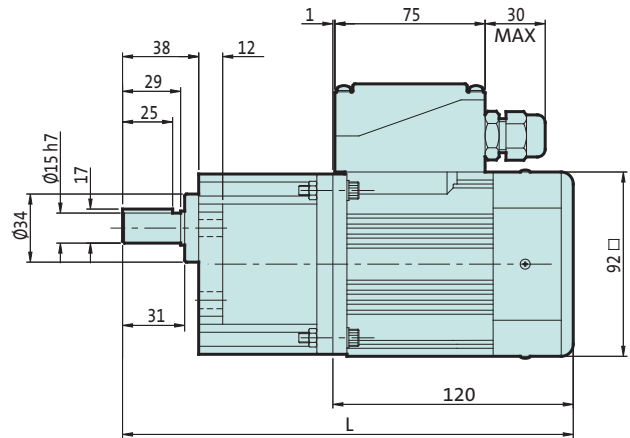
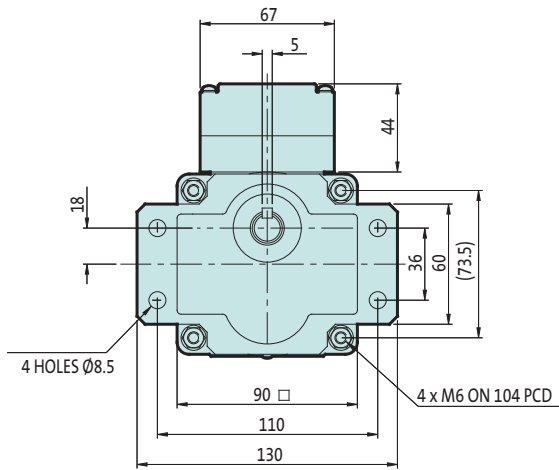
* torque limiter recommended

The last digit '1' signifies standard mounting position 1 as shown. For further mounting positions please see page 7.

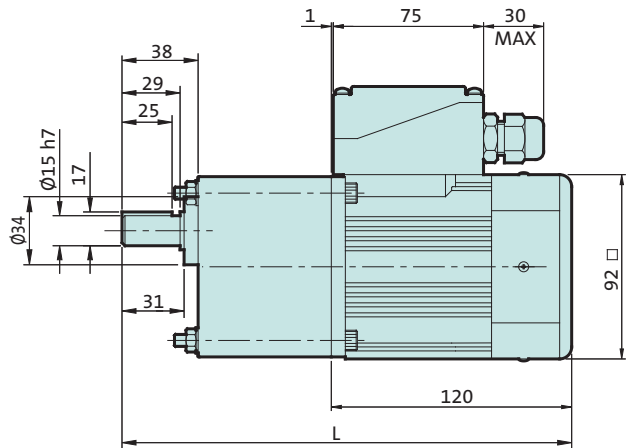
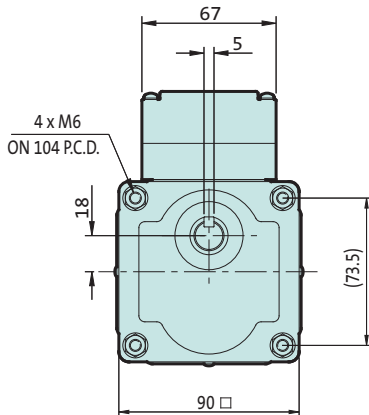
Motor details see page 38.

**60W
1 phase**

Flanged gearbox



Square gearbox



Ordering specification and example

Replace the letter # from the assembly number with a 'Y' for flanged gearbox or 'Z' for square gearbox as required. Examples:

100 r/min flanged with Standard Induction motor
5 r/min square with Quick Reversible motor

PAN G3 060 1GG 100.0 Y K1
PAN G3 060 RGG 005.0 Z K1

See page 7 for terminal box positions and feet.

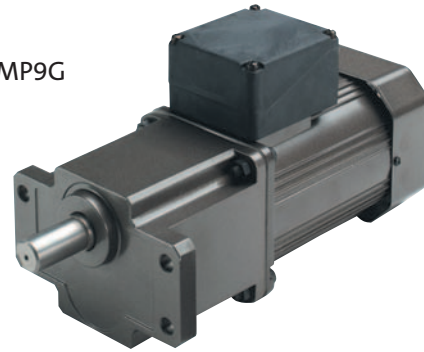
Panasonic | 60W HT 1 phase Standard & Quick Reversible

For speeds of 30 r/min and below a high torque gearbox is available, giving torques up to 29.4 Nm. Standard induction motors suit fixed speed applications.

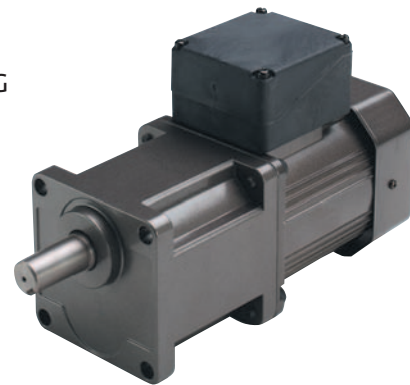
Quick Reversible motors have a built-in braking system for reduced overrun and fast reversing. Both models are available with flanged or square gearboxes.

- Rated 230V ± 10% and 50 Hz
- Continuous duty S1
- Enclosure IP54
- Supplied with run capacitor (Standard 4.5µF, QR 5.0µF)
- Integrated thermal protection switch (For external connection)
- RoHS compliant

Flanged MP9G gearbox



Square MR9G gearbox



Nominal speed r/min	Gearbox model number	Standard Induction Motor Model Number : M91Z60GK4GGA			Quick Reversible Motor Model Number : M9RZ60GK4GG1			Length L	Weight kg	
		Actual speed @230V	Rated torque Nm	Assembly number	Actual speed @230V	Rated torque Nm	Assembly number			
30	M#9G 50B	26	15.4	PAN G3 060 1GG 030.0 #K1	26	15.8	PAN G3 060 RGG 030.0 #K1	240	4.4	
20	M#9G 75B*	17	23.1	PAN G3 060 1GG 020.0 #K1	17	23.6	PAN G3 060 RGG 020.0 #K1	240		
15	M#9G 100B*	13	29.4	PAN G3 060 1GG 015.0 #K1	13	29.4	PAN G3 060 RGG 015.0 #K1	240		
12.5	M#9G 120B*	11	29.4	PAN G3 060 1GG 012.5 #K1	11	29.4	PAN G3 060 RGG 012.5 #K1	240		
10	M#9G 150B*	9	29.4	PAN G3 060 1GG 010.0 #K1	9	29.4	PAN G3 060 RGG 010.0 #K1	240		
7.5	M#9G 200B*	7	29.4	PAN G3 060 1GG 007.5 #K1	7	29.4	PAN G3 060 RGG 007.5 #K1	240		
MZ9G 10XB*		Additional gearbox MZ9G 10XB is included for speeds of 3.0 r/min and below								
3.0	M#9G 50B*	2.6	29.4	PAN G3 060 1GG 003.0 #K1	2.6	29.4	PAN G3 060 RGG 003.0 #K1	283	5.1	
2.0	M#9G 75B*	1.7	29.4	PAN G3 060 1GG 002.0 #K1	1.7	29.4	PAN G3 060 RGG 002.0 #K1	283		
1.5	M#9G 100B*	1.3	29.4	PAN G3 060 1GG 001.5 #K1	1.3	29.4	PAN G3 060 RGG 001.5 #K1	283		
1.3	M#9G 120B*	1.1	29.4	PAN G3 060 1GG 001.3 #K1	1.1	29.4	PAN G3 060 RGG 001.3 #K1	283		
1.0	M#9G 150B*	0.9	29.4	PAN G3 060 1GG 001.0 #K1	0.9	29.4	PAN G3 060 RGG 001.0 #K1	283		
0.8	M#9G 200B*	0.7	29.4	PAN G3 060 1GG 000.8 #K1	0.7	29.4	PAN G3 060 RGG 000.8 #K1	283		

HIGHER SPEEDS – see the 60W and 90W selections on adjacent pages

* torque limiter recommended

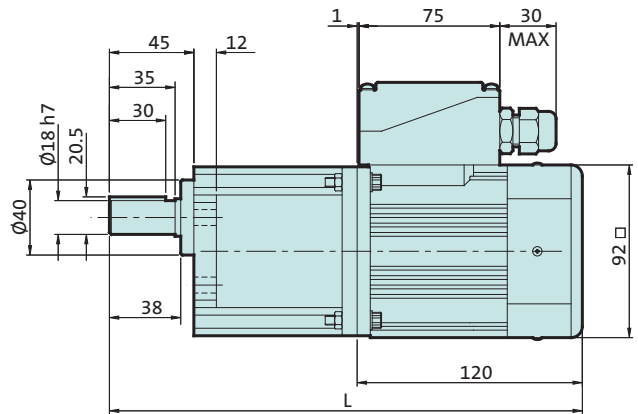
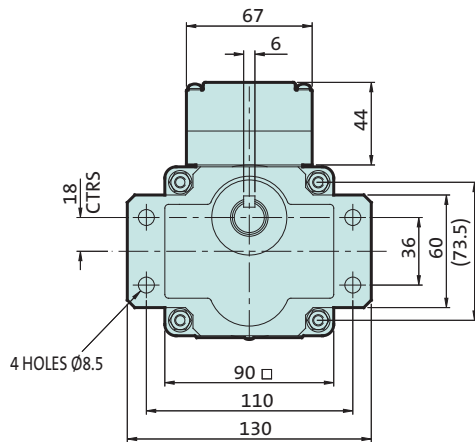
The last digit '1' signifies standard mounting position 1 as shown. For further mounting positions please see page 7.

Motor details see page 38.

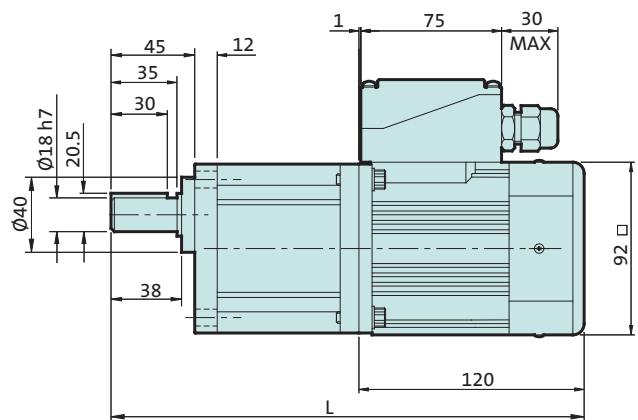
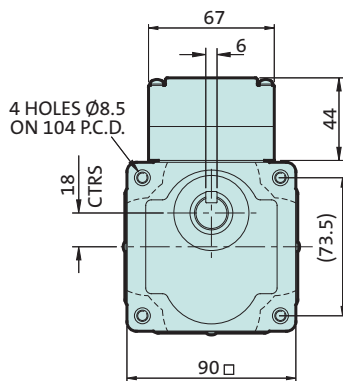
90W motors can be used with high torque gearboxes to increase torque for speeds of 20 and 30 r/min.

60W
1 phase
high torque

Flanged gearbox



Square gearbox



Ordering specification and example

Replace the letter # from the assembly number with a 'P' for flanged gearbox or 'R' for square gearbox as required. Examples:

30 r/min flanged with Standard Induction motor
1.5 r/min square with Quick Reversible motor

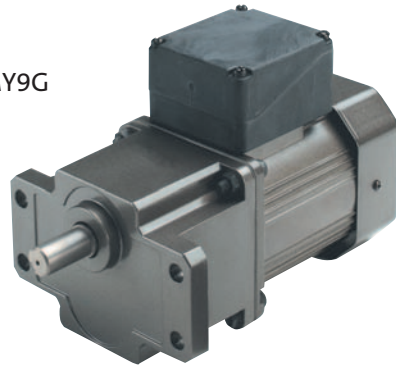
PAN G3 060 1GG 030.0 P K1
 PAN G3 060 RGG 001.5 R K1

See page 7 for terminal box positions and feet.

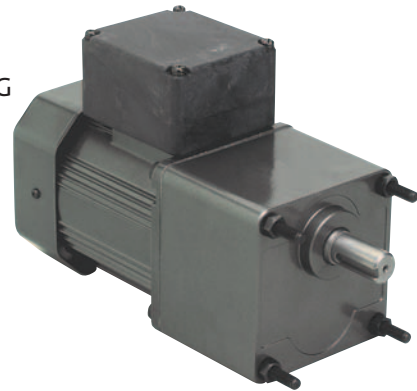
Panasonic | 90W 1 phase Standard & Quick Reversible

Standard induction motors suit fixed speed applications. Quick Reversible motors have a built-in braking system for reduced overrun and fast reversing. Both models are available with flanged or square gearboxes.

Flanged MY9G gearbox



Square MZ9G gearbox



- Rated 230V ± 10% and 50 Hz
- Standard motor rated continuous duty S1, quick reversing duty S2
- Enclosure IP54
- Supplied with run capacitor (Standard 6.0µF, QR 7.0µF)
- Integrated thermal protection switch (For external connection)
- RoHS compliant

Nominal speed r/min	Gearbox model number	Standard Induction Motor Model Number : M91Z90GK4GGA			Quick Reversible Motor Model Number : M9RZ90GK4GG1			Length L	Weight kg
		Actual speed @230V	Rated torque Nm	Assembly number	Actual speed @230V	Rated torque Nm	Assembly number		
500	M#9G 3B	442	1.1	PAN G3 090 1GG 500.0 #K1	417	1.7	PAN G3 090 RGG 500.0 #K1	233	4.7
300	M#9G 5B	265	2.8	PAN G3 090 1GG 300.0 #K1	250	2.8	PAN G3 090 RGG 300.0 #K1	233	
200	M#9G 7.5B	177	4.2	PAN G3 090 1GG 200.0 #K1	167	4.2	PAN G3 090 RGG 200.0 #K1	233	
150	M#9G 10B	133	5.6	PAN G3 090 1GG 150.0 #K1	125	5.6	PAN G3 090 RGG 150.0 #K1	233	
100	M#9G 15B	88	7.8	PAN G3 090 1GG 100.0 #K1	83	7.8	PAN G3 090 RGG 100.0 #K1	233	
75	M#9G 20B	66	10.4	PAN G3 090 1GG 075.0 #K1	63	10.4	PAN G3 090 RGG 075.0 #K1	233	
60	M#9G 25B	53	12.9	PAN G3 090 1GG 060.0 #K1	50	12.9	PAN G3 090 RGG 060.0 #K1	233	
50	M#9G 30B	44	15.5	PAN G3 090 1GG 050.0 #K1	42	15.5	PAN G3 090 RGG 050.0 #K1	233	
30	M#9G 50B	27	19.6	PAN G3 090 1GG 030.0 #K1	25	19.6	PAN G3 090 RGG 030.0 #K1	233	
20	M#9G 75B*	18	19.6	PAN G3 090 1GG 020.0 #K1	17	19.6	PAN G3 090 RGG 020.0 #K1	233	
15	M#9G 100B*	13	19.6	PAN G3 090 1GG 015.0 #K1	13	19.6	PAN G3 090 RGG 015.0 #K1	233	
12.5	M#9G 120B*	11	19.6	PAN G3 090 1GG 012.5 #K1	10	19.6	PAN G3 090 RGG 012.5 #K1	233	
10	M#9G 150B*	8.8	19.6	PAN G3 090 1GG 010.0 #K1	8.3	19.6	PAN G3 090 RGG 010.0 #K1	233	
7.5	M#9G 200B*	6.6	19.6	PAN G3 090 1GG 007.5 #K1	6.3	19.6	PAN G3 090 RGG 007.5 #K1	233	
MZ9G 10XB*		Additional gearbox MZ9G 10XB is included for speeds of 6.0 r/min and below							
6.0	M#9G 25B*	5.3	19.6	PAN G3 060 1GG 006.0 #K1	5.0	19.6	PAN G3 090 RGG 006.0 #K1	276	5.4
5.0	M#9G 30B*	4.4	19.6	PAN G3 060 1GG 005.0 #K1	4.2	19.6	PAN G3 090 RGG 005.0 #K1	276	
3.0	M#9G 50B*	2.5	19.6	PAN G3 060 1GG 003.0 #K1	2.5	19.6	PAN G3 090 RGG 003.0 #K1	276	
2.0	M#9G 75B*	1.7	19.6	PAN G3 060 1GG 002.0 #K1	1.7	19.6	PAN G3 090 RGG 002.0 #K1	276	
1.5	M#9G 100B*	1.3	19.6	PAN G3 060 1GG 001.5 #K1	1.3	19.6	PAN G3 090 RGG 001.5 #K1	276	
1.3	M#9G 120B*	1.0	19.6	PAN G3 060 1GG 001.3 #K1	1.0	19.6	PAN G3 090 RGG 001.3 #K1	276	
1	M#9G 150B*	0.8	19.6	PAN G3 060 1GG 001.0 #K1	0.8	19.6	PAN G3 090 RGG 001.0 #K1	276	
0.8	M#9G 180B*	0.7	19.6	PAN G3 060 1GG 000.8 #K1	0.7	19.6	PAN G3 090 RGG 000.8 #K1	276	
0.7	M#9G 200B*	0.6	19.6	PAN G3 060 1GG 000.7 #K1	0.6	19.6	PAN G3 090 RGG 000.7 #K1	276	

HIGHER TORQUES – available from 30 r/min and slower speeds, contact Lenze for details.

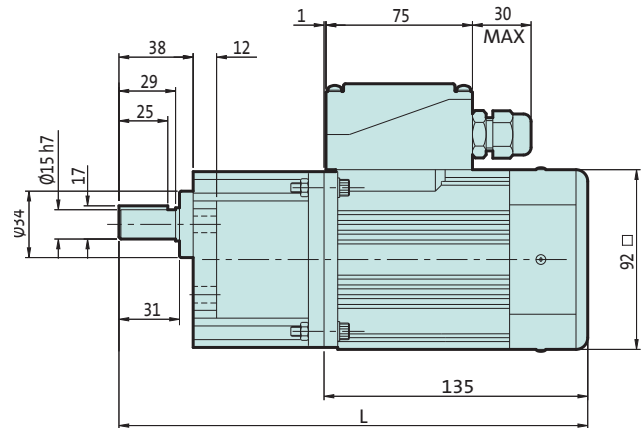
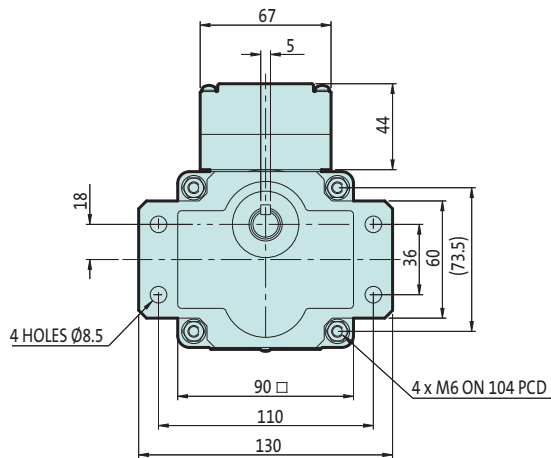
* torque limiter recommended

The last digit '1' signifies standard mounting position 1 as shown. For further mounting positions please see page 7.

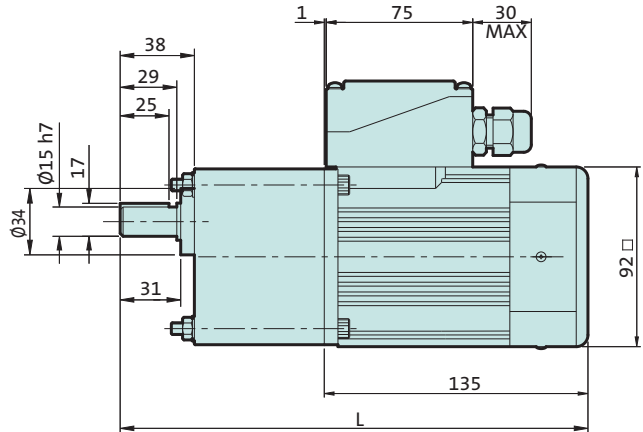
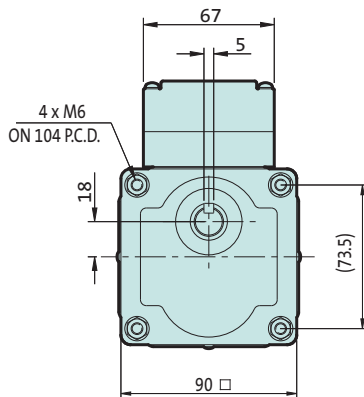
Motor details see page 38.

90W
1 phase

Flanged gearbox



Square gearbox



Ordering specification and example

Replace the letter # from the assembly number with a 'Y' for flanged gearbox or 'Z' for square gearbox as required. Examples:

100 r/min flanged with Standard Induction motor

5 r/min square with Quick Reversible motor

PAN G3 090 1GG 100.0 Y K1

PAN G3 090 RGG 005.0 Z K1

See page 7 for terminal box positions and feet.