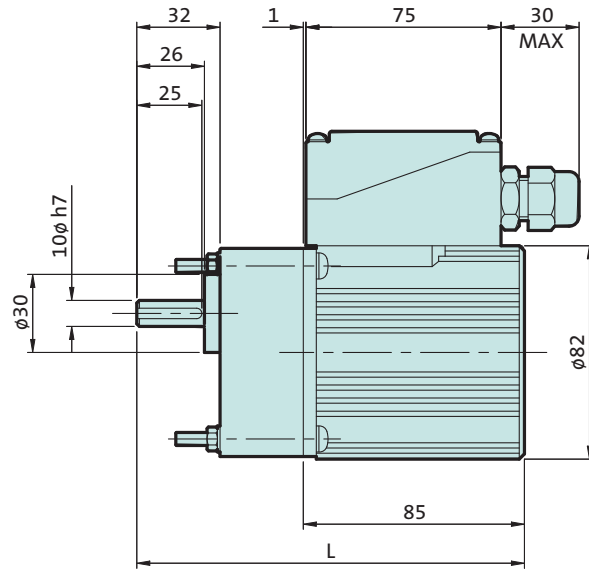
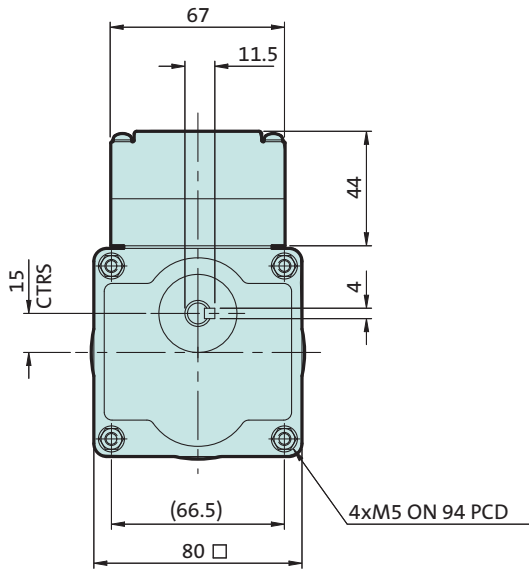


These 3 phase induction motors deliver high starting torques. 400V versions suit fixed speed applications. 230V versions are ideal for use with inverters such as the Panasonic, smd or SMV inverters.



- Rated 230V or 400V ± 10%
- Continuous duty S1
- Enclosure IP54
- Integrated thermal protection switch (For external connection)
- RoHS compliant

MX8G gearbox



Nominal speed r/min	Gearbox model number	230V 3 phase Motor Model Number : M8MX25GK4YGA			400V 3 phase Motor Model Number : M8MX25GK4CGA			Length L	Weight kg	
		Actual speed @230V	Rated torque Nm	Assembly number	Actual speed @400V	Rated torque Nm	Assembly number			
500	MX8G 3B	440	0.4	PAN G3 025 MYG 500.0 XK1	442	0.4	PAN G3 025 MCG 500.0 XK1	147	2.5	
300	MX8G 5B	264	0.6	PAN G3 025 MYG 300.0 XK1	266	0.7	PAN G3 025 MCG 300.0 XK1	147		
200	MX8G 7.5B	176	1.0	PAN G3 025 MYG 200.0 XK1	177	1.1	PAN G3 025 MCG 200.0 XK1	147		
150	MX8G 10B	132	1.3	PAN G3 025 MYG 150.0 XK1	133	1.5	PAN G3 025 MCG 150.0 XK1	147		
100	MX8G 15B	88	1.9	PAN G3 025 MYG 100.0 XK1	88	2.2	PAN G3 025 MCG 100.0 XK1	147		
75	MX8G 20B	66	2.6	PAN G3 025 MYG 075.0 XK1	66	2.9	PAN G3 025 MCG 075.0 XK1	147		
60	MX8G 25B	53	3.2	PAN G3 025 MYG 060.0 XK1	53	3.6	PAN G3 025 MCG 060.0 XK1	147		
50	MX8G 30B	44	3.6	PAN G3 025 MYG 050.0 XK1	45	4.1	PAN G3 025 MCG 050.0 XK1	147		
30	MX8G 50B	26	6.0	PAN G3 025 MYG 030.0 XK1	27	6.8	PAN G3 025 MCG 030.0 XK1	147		
20	MX8G 75B*	18	7.8	PAN G3 025 MYG 020.0 XK1	18	7.8	PAN G3 025 MCG 020.0 XK1	147		
15	MX8G 100B*	13	7.8	PAN G3 025 MYG 015.0 XK1	13	7.8	PAN G3 025 MCG 015.0 XK1	147		
12.5	MX8G 120B*	11	7.8	PAN G3 025 MYG 012.5 XK1	11	7.8	PAN G3 025 MCG 012.5 XK1	147		
10	MX8G 150B*	8.8	7.8	PAN G3 025 MYG 010.0 XK1	8.8	7.8	PAN G3 025 MCG 010.0 XK1	147		
8.3	MX8G 180B*	7.3	7.8	PAN G3 025 MYG 008.3 XK1	7.4	7.8	PAN G3 025 MCG 008.3 XK1	147		
<b>MX8G 10XB* Additional gearbox MX8G 10XB is included for speeds of 7.5 r/min and below</b>										
7.5	MX8G 20B*	6.6	7.8	PAN G3 025 MYG 007.5 XK1	6.6	7.8	PAN G3 025 MCG 007.5 XK1	177		2.9
6.0	MX8G 25B*	5.3	7.8	PAN G3 025 MYG 006.0 XK1	5.3	7.8	PAN G3 025 MCG 006.0 XK1	177		
5.0	MX8G 30B*	4.4	7.8	PAN G3 025 MYG 005.0 XK1	4.4	7.8	PAN G3 025 MCG 005.0 XK1	177		
3.0	MX8G 50B*	2.6	7.8	PAN G3 025 MYG 003.0 XK1	2.7	7.8	PAN G3 025 MCG 003.0 XK1	177		
2.0	MX8G 75B*	1.8	7.8	PAN G3 025 MYG 002.0 XK1	1.8	7.8	PAN G3 025 MCG 002.0 XK1	177		
1.5	MX8G 100B*	1.3	7.8	PAN G3 025 MYG 001.5 XK1	1.3	7.8	PAN G3 025 MCG 001.5 XK1	177		
1.3	MX8G 120B*	1.1	7.8	PAN G3 025 MYG 001.3 XK1	1.1	7.8	PAN G3 025 MCG 001.3 XK1	177		
1.0	MX8G 150B*	0.9	7.8	PAN G3 025 MYG 001.0 XK1	0.9	7.8	PAN G3 025 MCG 001.0 XK1	177		
0.8	MX8G 180B*	0.7	7.8	PAN G3 025 MYG 000.8 XK1	0.7	7.8	PAN G3 025 MCG 000.8 XK1	177		

\* torque limiter recommended

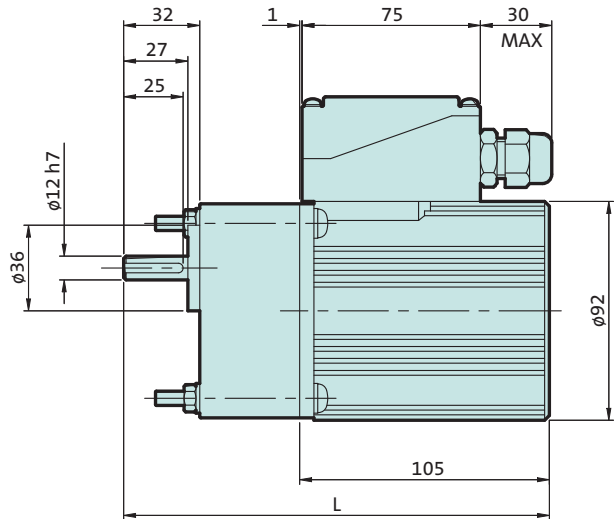
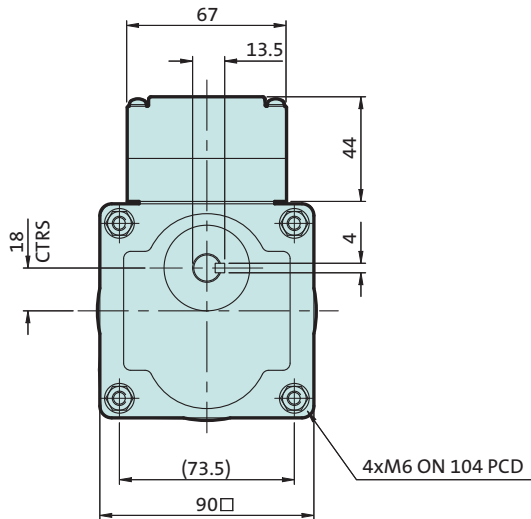
The last digit '1' signifies standard mounting position 1 as shown. For further mounting positions please see page 7.

Motor details see page 38.

These 3 phase induction motors deliver high starting torques. 400V versions suit fixed speed applications. 230V versions are ideal for use with inverters such as the Panasonic, smd or SMV inverters.

- Rated 230V or 400V ± 10%
- Continuous duty S1
- Enclosure IP54
- Integrated thermal protection switch (For external connection)
- RoHS compliant

MX9G gearbox



Nominal speed r/min	Gearbox model number	230V 3 phase Motor Model Number : M9MX40GK4YGA			400V 3 phase Motor Model Number : M9MX40GK4CGA			Length L	Weight kg
		Actual speed @230V	Rated torque Nm	Assembly number	Actual speed @400V	Rated torque Nm	Assembly number		
500	MX9G 3B	447	0.7	PAN G3 040 MYG 500.0 XK1	450	0.7	PAN G3 040 MCG 500.0 XK1	174	4.0
300	MX9G 5B	277	1.1	PAN G3 040 MYG 300.0 XK1	270	1.1	PAN G3 040 MCG 300.0 XK1	174	
200	MX9G 7.5B	179	1.6	PAN G3 040 MYG 200.0 XK1	180	1.7	PAN G3 040 MCG 200.0 XK1	174	
150	MX9G 10B	134	2.2	PAN G3 040 MYG 150.0 XK1	135	2.3	PAN G3 040 MCG 150.0 XK1	174	
100	MX9G 15B	89.3	3.3	PAN G3 040 MYG 100.0 XK1	90.0	3.4	PAN G3 040 MCG 100.0 XK1	174	
75	MX9G 20B	67.0	4.1	PAN G3 040 MYG 075.0 XK1	67.5	4.2	PAN G3 040 MCG 075.0 XK1	174	
60	MX9G 25B	53.6	5.1	PAN G3 040 MYG 060.0 XK1	54.0	5.3	PAN G3 040 MCG 060.0 XK1	174	
50	MX9G 30B	44.7	6.1	PAN G3 040 MYG 050.0 XK1	45.0	6.3	PAN G3 040 MCG 050.0 XK1	174	
30	MX9G 50B	26.8	9.8	PAN G3 040 MYG 030.0 XK1	27.0	9.8	PAN G3 040 MCG 030.0 XK1	174	
20	MX9G 75B*	17.9	9.8	PAN G3 040 MYG 020.0 XK1	18.0	9.8	PAN G3 040 MCG 020.0 XK1	174	
15	MX9G 100B*	13.4	9.8	PAN G3 040 MYG 015.0 XK1	13.5	9.8	PAN G3 040 MCG 015.0 XK1	174	
12.5	MX9G 120B*	11.2	9.8	PAN G3 040 MYG 012.5 XK1	11.3	9.8	PAN G3 040 MCG 012.5 XK1	174	
10	MX9G 150B*	8.9	9.8	PAN G3 040 MYG 010.0 XK1	9.0	9.8	PAN G3 040 MCG 010.0 XK1	174	
8.3	MX9G 180B*	7.4	9.8	PAN G3 040 MYG 008.3 XK1	7.5	9.8	PAN G3 040 MCG 008.3 XK1	174	
<b>MX9G 10XB*</b> Additional gearbox MX9G 10XB is included for speeds of 7.5 r/min and below									
7.5	MX9G 20B*	6.7	9.8	PAN G3 040 MYG 007.5 XK1	6.8	9.8	PAN G3 040 MCG 007.5 XK1	209	4.5
6.0	MX9G 25B*	5.4	9.8	PAN G3 040 MYG 006.0 XK1	5.4	9.8	PAN G3 040 MCG 006.0 XK1	209	
5.0	MX9G 30B*	4.5	9.8	PAN G3 040 MYG 005.0 XK1	4.5	9.8	PAN G3 040 MCG 005.0 XK1	209	
3.0	MX9G 50B*	2.7	9.8	PAN G3 040 MYG 003.0 XK1	2.7	9.8	PAN G3 040 MCG 003.0 XK1	209	
2.0	MX9G 75B*	1.8	9.8	PAN G3 040 MYG 002.0 XK1	1.8	9.8	PAN G3 040 MCG 002.0 XK1	209	
1.5	MX9G 100B*	1.3	9.8	PAN G3 040 MYG 001.5 XK1	1.4	9.8	PAN G3 040 MCG 001.5 XK1	209	
1.3	MX9G 120B*	1.1	9.8	PAN G3 040 MYG 001.3 XK1	1.1	9.8	PAN G3 040 MCG 001.3 XK1	209	
1.0	MX9G 150B*	0.9	9.8	PAN G3 040 MYG 001.0 XK1	0.9	9.8	PAN G3 040 MCG 001.0 XK1	209	
0.8	MX9G 180B*	0.7	9.8	PAN G3 040 MYG 000.8 XK1	0.8	9.8	PAN G3 040 MCG 000.8 XK1	209	

\* torque limiter recommended

The last digit '1' signifies standard mounting position 1 as shown. For further mounting positions please see page 7.

Motor details see page 38.

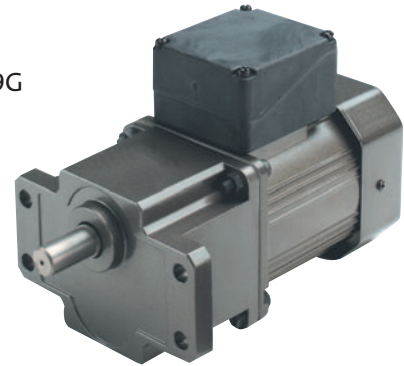
# Panasonic | 60W 3 phase

These 3 phase induction motors deliver high starting torques. 400V versions suit fixed speed applications. 230V versions are ideal for use with inverters such as the Panasonic or smd inverters.

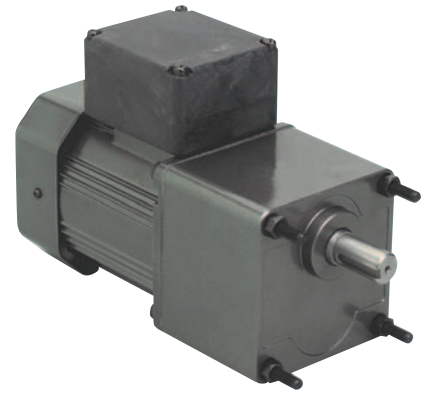
All 60W geared motors are available with flanged or square gearboxes.

- Rated 230V or 400V ± 10%
- Continuous duty S1
- Enclosure IP54
- Integrated thermal protection switch (For external connection)
- RoHS compliant
- 230V 3phase for use with an inverter  
400V for fixed speed application

Flanged MY9G gearbox



Square MZ9G gearbox



Nominal speed r/min	Gearbox model number	230V 3 phase Motor Model Number : M9MZ60GK4YGA			400V 3 phase Motor Model Number : M9MZ60GK4CGA			Length L	Weight kg	
		Actual speed @230V	Rated torque Nm	Assembly number	Actual speed @400V	Rated torque Nm	Assembly number			
500	M#9G 3B	447	1	PAN G3 060 MYG 500.0 #K1	442	1	PAN G3 060 MCG 500.0 #K1	218	4.5	
300	M#9G 5B	268	1.7	PAN G3 060 MYG 300.0 #K1	265	1.7	PAN G3 060 MCG 300.0 #K1	218		
200	M#9G 7.5B	177	2.5	PAN G3 060 MYG 200.0 #K1	177	2.6	PAN G3 060 MCG 200.0 #K1	218		
150	M#9G 10B	134	3.3	PAN G3 060 MYG 150.0 #K1	132	3.5	PAN G3 060 MCG 150.0 #K1	218		
100	M#9G 15B	89.3	4.6	PAN G3 060 MYG 100.0 #K1	88.3	4.8	PAN G3 060 MCG 100.0 #K1	218		
75	M#9G 20B	67.0	6.2	PAN G3 060 MYG 075.0 #K1	66.3	6.5	PAN G3 060 MCG 075.0 #K1	218		
60	M#9G 25B	53.6	7.7	PAN G3 060 MYG 060.0 #K1	53.0	8.1	PAN G3 060 MCG 060.0 #K1	218		
50	M#9G 30B	44.7	9.2	PAN G3 060 MYG 050.0 #K1	44.2	9.7	PAN G3 060 MCG 050.0 #K1	218		
30	M#9G 50B	26.8	14.4	PAN G3 060 MYG 030.0 #K1	26.5	15.1	PAN G3 060 MCG 030.0 #K1	218		
20	M#9G 75B*	17.9	19.6	PAN G3 060 MYG 020.0 #K1	17.7	19.6	PAN G3 060 MCG 020.0 #K1	218		
15	M#9G 100B*	13.4	19.6	PAN G3 060 MYG 015.0 #K1	13.3	19.6	PAN G3 060 MCG 015.0 #K1	218		
12.5	M#9G 120B*	11.2	19.6	PAN G3 060 MYG 012.5 #K1	11.0	19.6	PAN G3 060 MCG 012.5 #K1	218		
10	M#9G 150B*	8.9	19.6	PAN G3 060 MYG 010.0 #K1	8.8	19.6	PAN G3 060 MCG 010.0 #K1	218		
7.5	M#9G 200B*	6.7	19.6	PAN G3 060 MYG 008.3 #K1	6.6	19.6	PAN G3 060 MCG 008.3 #K1	218		
<b>MZ9G 10XB*</b> Additional gearbox MZ9G 10XB is included for speeds of 6.0 r/min and below										
6.0	M#9G 25B*	5.4	19.6	PAN G3 060 MYG 007.5 #K1	5.3	19.6	PAN G3 060 MCG 007.5 #K1	261		5.2
5.0	M#9G 30B*	4.5	19.6	PAN G3 060 MYG 006.0 #K1	4.4	19.6	PAN G3 060 MCG 006.0 #K1	261		
3.0	M#9G 50B*	2.7	19.6	PAN G3 060 MYG 005.0 #K1	2.7	19.6	PAN G3 060 MCG 005.0 #K1	261		
2.0	M#9G 75B*	1.8	19.6	PAN G3 060 MYG 003.0 #K1	1.8	19.6	PAN G3 060 MCG 003.0 #K1	261		
1.5	M#9G 100B*	1.3	19.6	PAN G3 060 MYG 002.0 #K1	1.3	19.6	PAN G3 060 MCG 002.0 #K1	261		
1.3	M#9G 120B*	1.1	19.6	PAN G3 060 MYG 001.5 #K1	1.1	19.6	PAN G3 060 MCG 001.5 #K1	261		
1.0	M#9G 150B*	0.9	19.6	PAN G3 060 MYG 001.3 #K1	0.9	19.6	PAN G3 060 MCG 001.3 #K1	261		
0.8	M#9G 180B*	0.7	19.6	PAN G3 060 MYG 001.0 #K1	0.7	19.6	PAN G3 060 MCG 001.0 #K1	261		
0.7	M#9G 200B*	0.7	19.6	PAN G3 060 MYG 000.8 #K1	0.7	19.6	PAN G3 060 MCG 000.8 #K1	261		

HIGHER TORQUES – available from 30 r/min and slower speeds, see following 60W high torque pages.

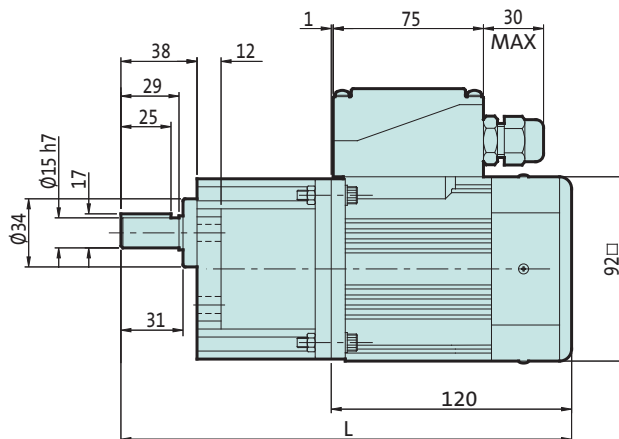
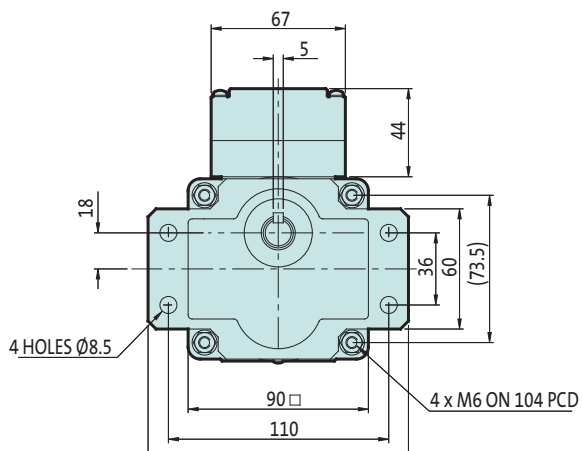
\* torque limiter recommended

The last digit '1' signifies standard mounting position 1 as shown. For further mounting positions please see page 7.

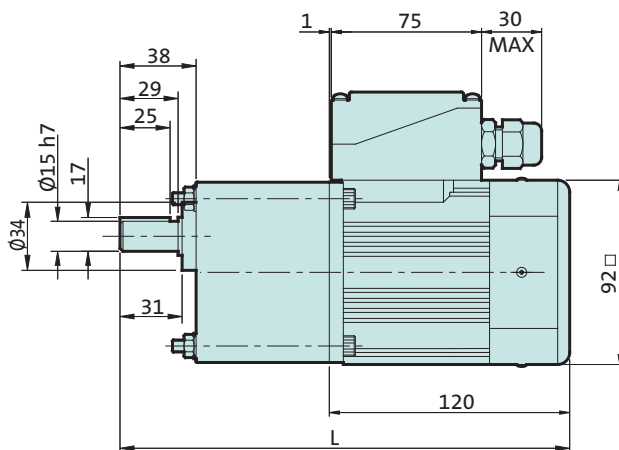
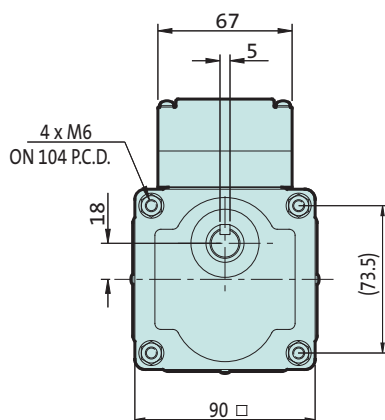
Motor details see page 38.

60W  
3 phase

### Flanged gearbox



### Square gearbox



### Ordering specification and example

Replace the letter # from the assembly number with a 'Y' for flanged gearbox or 'Z' for square gearbox as required. Examples:

100 r/min flanged with 230V 3 phase motor \_\_\_\_\_  
5 r/min square with 400V 3 phase motor \_\_\_\_\_

PAN G3 060 MYG 100.0 Y K1  
PAN G3 060 MCG 005.0 Z K1

See page 7 for terminal box positions and feet.

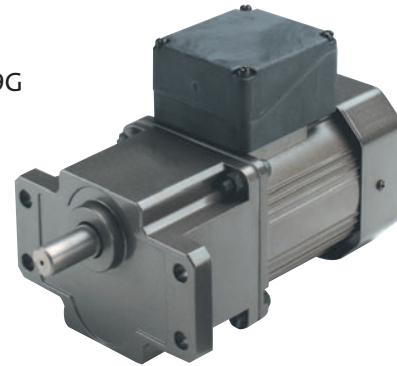
# Panasonic | 60 HT 3 phase

For speeds of 30 r/min and below a high torque gearbox is available to give torque up to 29.4 Nm.

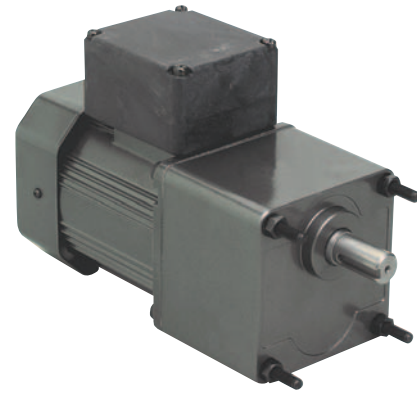
These 3 phase induction motors deliver high starting torques. 400V versions suit fixed speed applications. 230V versions are ideal for use with inverters such as the Panasonic, smd or SMV inverters.

All 60W geared motors are available with flanged or square gearboxes.

Flanged MP9G gearbox



Square MR9G gearbox



- Rated 230V or 400V ± 10%
- Continuous duty S1
- Enclosure IP54
- Integrated thermal protection switch (For external connection)
- RoHS compliant
- 230V 3phase for use with an inverter  
400V for fixed speed application

Nominal speed r/min	Gearbox model number	230V 3 phase Motor Model Number : M9MZ60GK4YGA			400V 3 phase Motor Model Number : M9MZ60GK4CGA			Length L	Weight kg
		Actual speed @230V	Rated torque Nm	Assembly number	Actual speed @400V	Rated torque Nm	Assembly number		
30	M#9G 50B	26.8	14.4	PAN G3 060 MYG 030.0 #K1	26.5	15.1	PAN G3 060 MCG 030.0 #K1	240	4.7
20	M#9G 75B*	17.9	21.5	PAN G3 060 MYG 020.0 #K1	17.7	22.6	PAN G3 060 MCG 020.0 #K1	240	
15	M#9G 100B*	13.4	28.7	PAN G3 060 MYG 015.0 #K1	13.3	29.4	PAN G3 060 MCG 015.0 #K1	240	
12.5	M#9G 120B*	11.2	29.4	PAN G3 060 MYG 012.5 #K1	11.0	29.4	PAN G3 060 MCG 012.5 #K1	240	
10	M#9G 150B*	8.9	29.4	PAN G3 060 MYG 010.0 #K1	8.8	29.4	PAN G3 060 MCG 010.0 #K1	240	
7.5	M#9G 200B*	6.7	29.4	PAN G3 060 MYG 007.5 #K1	6.6	29.4	PAN G3 060 MCG 007.5 #K1	240	
<b>MZ9G 10XB* Additional gearbox MZ9G 10XB is included for speeds of 3.0 r/min and below</b>									
3.0	M#9G 50B*	2.7	29.4	PAN G3 060 MYG 003.0 #K1	2.7	29.4	PAN G3 060 MCG 003.0 #K1	283	5.4
2.0	M#9G 75B*	1.8	29.4	PAN G3 060 MYG 002.0 #K1	1.8	29.4	PAN G3 060 MCG 002.0 #K1	283	
1.5	M#9G 100B*	1.3	29.4	PAN G3 060 MYG 001.5 #K1	1.3	29.4	PAN G3 060 MCG 001.5 #K1	283	
1.3	M#9G 120B*	1.1	29.4	PAN G3 060 MYG 001.3 #K1	1.1	29.4	PAN G3 060 MCG 001.3 #K1	283	
1.0	M#9G 150B*	0.9	29.4	PAN G3 060 MYG 001.0 #K1	0.9	29.4	PAN G3 060 MCG 001.0 #K1	283	
0.7	M#9G 180B*	0.7	29.4	PAN G3 060 MYG 000.8 #K1	0.7	29.4	PAN G3 060 MCG 000.8 #K1	283	

**HIGHER SPEEDS – see the 60W and 90W selections on adjacent pages**

\* torque limiter recommended

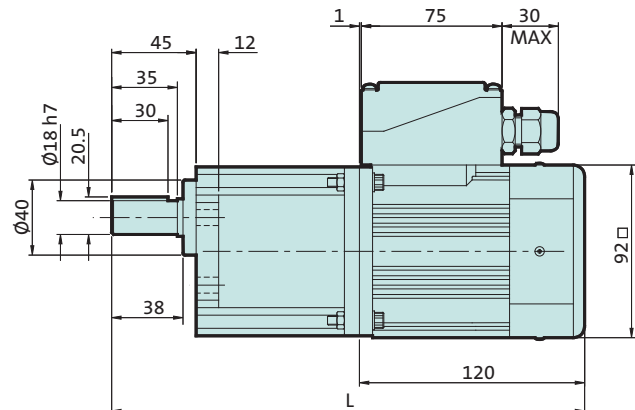
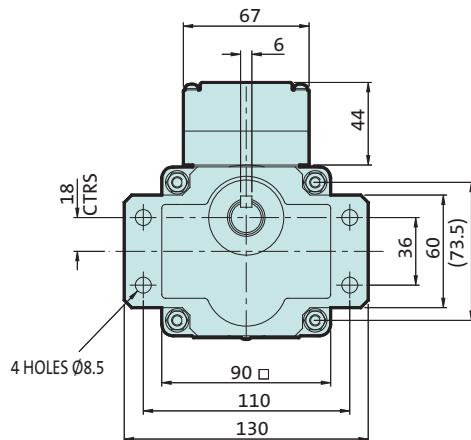
The last digit '1' signifies standard mounting position 1 as shown. For further mounting positions please see page 7.

Motor details see page 38.

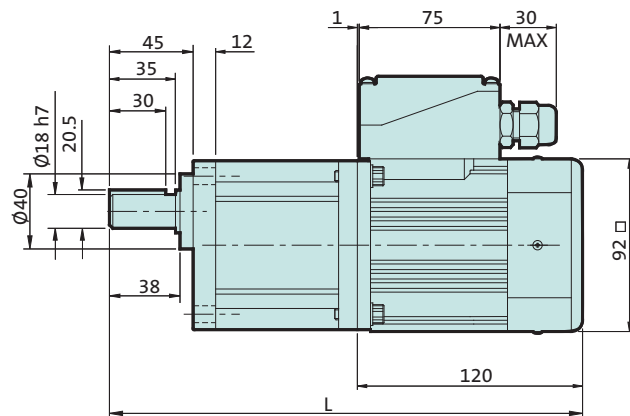
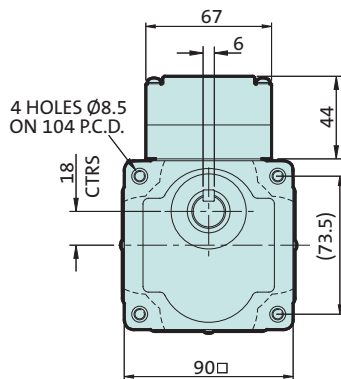
90W motors can be used with high torque gearboxes to increase torque for speeds of 20 and 30 r/min.

**60W**  
**3 phase**  
**high torque**

### Flanged gearbox



### Square gearbox



### Ordering specification and example

Replace the letter # from the assembly number with a 'P' for flanged gearbox or 'R' for square gearbox as required. Examples:

30 r/min flanged with 230V 3 phase motor  
1.5 r/min square with 400V 3 phase motor

PAN G3 060 MYG 030.0 P K1  
PAN G3 060 MCG 001.5 R K1

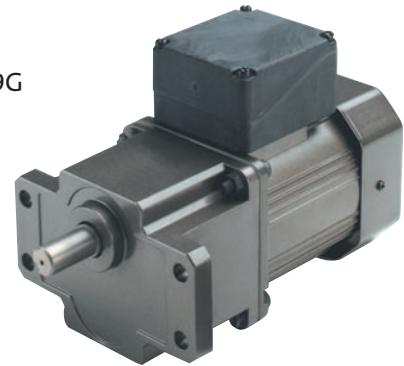
See page 7 for terminal box positions.

# Panasonic | 90W 3 phase

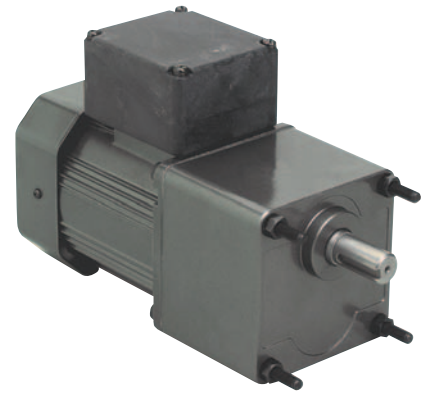
These 3 phase induction motors deliver high starting torques. 400V versions suit fixed speed applications. 230V versions are ideal for use with inverters such as the Panasonic, smd or SMV inverters.

All 90W geared motors are available with flanged or square gearboxes.

Flanged MY9G gearbox



Square MZ9G gearbox



- Rated 230V ± 10%
- Continuous duty S1
- Enclosure IP54
- Integrated thermal protection switch (For external connection)
- RoHS compliant
- 230V 3phase for use with an inverter  
400V for fixed speed application

Nominal speed r/min	Gearbox model number	230V 3 phase Motor Model Number : M9MZ90GK4YGA			400V 3 phase Motor Model Number : M9MZ90GK4CGA			Length L	Weight kg
		Actual speed @230V	Rated torque Nm	Assembly number	Actual speed @400V	Rated torque Nm	Assembly number		
500	M#9G 3B	440	1.5	PAN G3 090 MYG 500.0 #K1	450	1.6	PAN G3 090 MCG 500.0 #K1	233	4.8
300	M#9G 5B	264	2.5	PAN G3 090 MYG 300.0 #K1	270	2.6	PAN G3 090 MCG 300.0 #K1	233	
200	M#9G 7.5B	176	3.7	PAN G3 090 MYG 200.0 #K1	180	3.9	PAN G3 090 MCG 200.0 #K1	233	
150	M#9G 10B	132	4.9	PAN G3 090 MYG 150.0 #K1	135	5.2	PAN G3 090 MCG 150.0 #K1	233	
100	M#9G 15B	88	6.9	PAN G3 090 MYG 100.0 #K1	90	7.2	PAN G3 090 MCG 100.0 #K1	233	
75	M#9G 20B	66	9.2	PAN G3 090 MYG 075.0 #K1	68	9.6	PAN G3 090 MCG 075.0 #K1	233	
60	M#9G 25B	53	11.4	PAN G3 090 MYG 060.0 #K1	54	12	PAN G3 090 MCG 060.0 #K1	233	
50	M#9G 30B	44	13.7	PAN G3 090 MYG 050.0 #K1	45	14.4	PAN G3 090 MCG 050.0 #K1	233	
30	M#9G 50B	26	19.6	PAN G3 090 MYG 030.0 #K1	27	22.4	PAN G3 090 MCG 030.0 #K1	233	
20	M#9G 75B*	18	19.6	PAN G3 090 MYG 020.0 #K1	18	19.6	PAN G3 090 MCG 020.0 #K1	233	
15	M#9G 100B*	13	19.6	PAN G3 090 MYG 015.0 #K1	14	19.6	PAN G3 090 MCG 015.0 #K1	233	
12.5	M#9G 120B*	11	19.6	PAN G3 090 MYG 012.5 #K1	11	19.6	PAN G3 090 MCG 012.5 #K1	233	
10	M#9G 150B*	8.8	19.6	PAN G3 090 MYG 010.0 #K1	9	19.6	PAN G3 090 MCG 010.0 #K1	233	
7.5	M#9G 200B*	6.6	19.6	PAN G3 090 MYG 007.5 #K1	6.8	19.6	PAN G3 090 MCG 007.5 #K1	233	
<b>MZ9G 10XB*</b> Additional gearbox MZ9G 10XB is included for speeds of 6.0 r/min and below									
6.0	M#9G 25B*	5.3	19.6	PAN G3 090 MYG 006.0 #K1	5.4	19.6	PAN G3 090 MCG 006.0 #K1	276	5.5
5.0	M#9G 30B*	4.4	19.6	PAN G3 090 MYG 005.0 #K1	4.5	19.6	PAN G3 090 MCG 005.0 #K1	276	
3.0	M#9G 50B*	2.6	19.6	PAN G3 090 MYG 003.0 #K1	2.7	19.6	PAN G3 090 MCG 003.0 #K1	276	
2.0	M#9G 75B*	1.8	19.6	PAN G3 090 MYG 002.0 #K1	1.8	19.6	PAN G3 090 MCG 002.0 #K1	276	
1.5	M#9G 100B*	1.3	19.6	PAN G3 090 MYG 001.5 #K1	1.4	19.6	PAN G3 090 MCG 001.5 #K1	276	
1.3	M#9G 120B*	1.1	19.6	PAN G3 090 MYG 001.3 #K1	1.1	19.6	PAN G3 090 MCG 001.3 #K1	276	
1	M#9G 150B*	0.9	19.6	PAN G3 090 MYG 001.0 #K1	0.9	19.6	PAN G3 090 MCG 001.0 #K1	276	
0.8	M#9G 180B*	0.7	19.6	PAN G3 090 MYG 000.8 #K1	0.8	19.6	PAN G3 090 MCG 000.8 #K1	276	
0.7	M#9G 200B*	0.7	19.6	PAN G3 090 MYG 000.7 #K1	0.7	19.6	PAN G3 090 MCG 000.7 #K1	276	

**HIGHER TORQUES – available from 30 r/min and slower, see previous 60W high torque pages.**

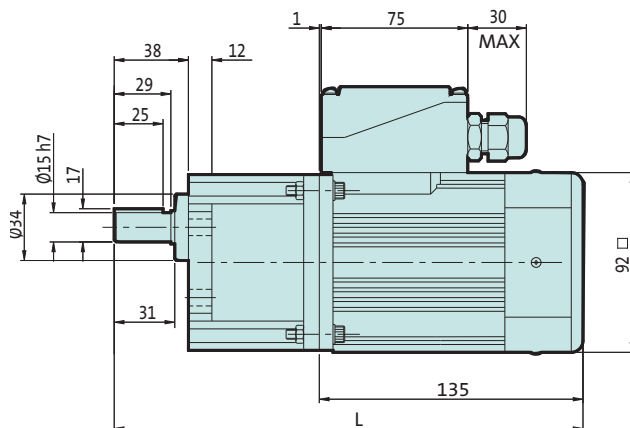
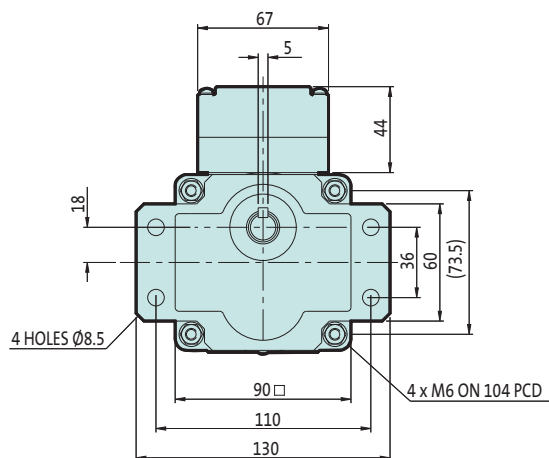
\* torque limiter recommended

The last digit '1' signifies standard mounting position 1 as shown. For further mounting positions please see page 7.

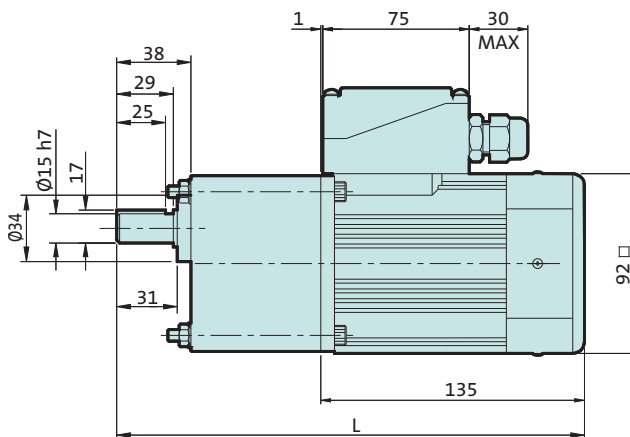
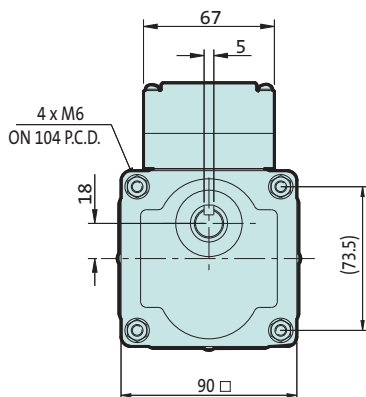
Motor details see page 38.

**90W  
3 phase**

**Flanged gearbox**



**Square gearbox**



**Ordering specification and example**

Replace the letter # from the assembly number with a 'Y' for flanged gearbox or 'Z' for square gearbox as required. Examples:

100 r/min flanged with 230V 3 phase motor  
5 r/min square with 400V 3 phase motor

PAN G3 100.0 MYG 100.0 Y K1  
 PAN G3 005.0 MCG 005.0 Z K1

See page 7 for terminal box positions and feet.