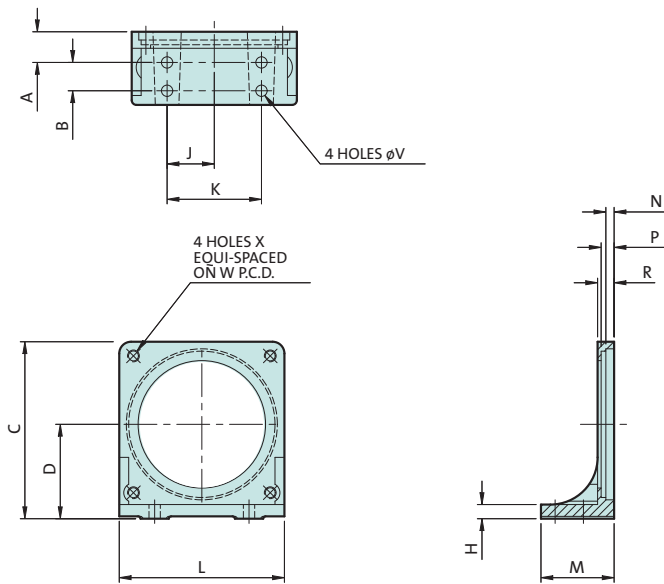


# Panasonic | standard feet



Standard feet are available for all square gearboxes. These can be ordered and fitted to suit the required mounting configuration, [see page 7](#). Flanged geared motors with powers 60-90W do not accept feet.



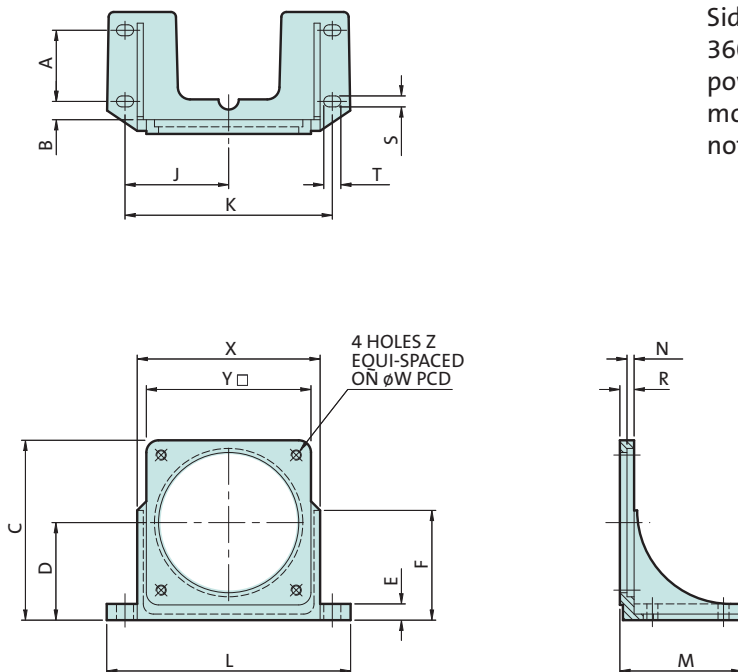
### Ordering

6W type No.	PAN G3 M6 B2
15W type No.	PAN G3 M7 B2
25W type No.	PAN G3 M8 B2
40-90W type No.	PAN G3 M9 B2

### Dimensions

	A	B	C	D	H	J	K	L	M	N	P	R	V	W	X
6W Feet	12	8	65	35	6	17	34	60	25	3	5.5	6	$\phi 4.8$	$\phi 70$	M4
15W Feet	13	12	75	40	6	20	40	70	31	3.5	5.5	7	$\phi 4.8$	$\phi 82$	M5
25W Feet	15	14	85	45	6	23	46	80	35	3.5	-	7	$\phi 5.5$	$\phi 94$	M5
40W-90W Feet	20	20	95	50	8	28	56	90	46	3.5	-	8	$\phi 7$	$\phi 104$	M6

# Panasonic | side fixing feet



Side fixing feet fit to the front of the gearbox and allow 360° access to the gearbox shaft. They are available for powers 25W and higher. [See page 7](#) to specify the mounting position required. Flanged geared motors do not accept feet.



### Ordering

25W type No.	PAN G3 M8 B3
40W-90W type No.	PAN G3 M9 B3

### Dimensions

	A	B	C	D	H	J	K	L	M	N	R	S	T	U	W	X	Y	Z
25W Feet	35	9	89	48	8	51	102	128	60	3.5	7	5.4	8.4	54	$\phi 94$	90	81	M5
40W-90W Feet	40	9	98.5	53	10	56	112	130	67	3.5	10	5.4	8.4	60	$\phi 104$	100	91	M6