



- Easy to fit
- Even distribution of clamping forces
- High speed capability
- Stainless steel or mild steel construction available
- Clamp action eliminates shaft damage caused by set screws

Ordering example

5 off one piece in mild steel to suit 12mm shaft.
6 off two piece in stainless steel to suit 28mm shaft.

5 off type no.	13008053
6 off type no.	13008031

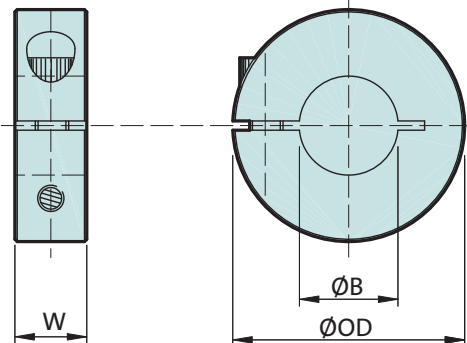
- Imperial bores available
 - Some sizes available in aluminium
- Please ask for details

MCL one piece

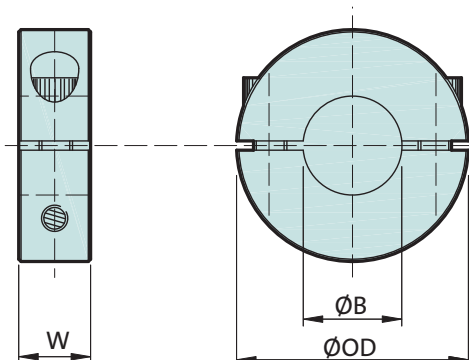
Bore B	Diameter OD	Width W	Clamp screw	Steel Type No.	Stainless Type No.
3	16	9	M3	13008106	13008044
4	16	9	M3	13008070	13008040
5	16	9	M3	13008047	13008079
6	16	9	M3	13008073	13008067
8	18	9	M3	13008048	13008086
10	24	9	M3	13008085	13008078
12	28	11	M4	13008053	13008080
14	30	11	M4	13008043	13008081
15	34	13	M5	13008032	13008083
16	34	13	M5	13008034	13008051
20	40	15	M6	13008109	13008036
22	42	15	M6	13008060	13008076
25	45	15	M6	13008061	13008039
28	48	15	M6	13008059	13008099
30	54	15	M6	13008064	13008114
35	57	15	M6	13008062	13008052
40	60	15	M6	13008030	13007685
50	78	19	M8	13008028	13007682



Type MCL one piece



Type MSP two piece



MSP two piece

Bore B	Diameter OD	Width W	Clamp screw	Steel Type No.	Stainless Type No.
3	16	9	M3	13008113	13008045
4	16	9	M3	13008112	13008029
5	16	9	M3	13008107	13008054
6	16	9	M3	13008105	13008063
8	18	9	M3	13007688	13008065
10	24	9	M3	13008092	13008050
12	28	11	M4	13007689	13008093
14	30	11	M4	13008042	13008082
15	34	13	M5	13008049	13008058
16	34	13	M5	13008041	13008111
20	40	15	M6	13008098	13008038
22	42	15	M6	13008035	13008100
25	45	15	M6	13008101	13008104
28	48	15	M6	13008102	13008031
30	54	15	M6	13008033	13008088
35	57	15	M6	13008072	13008089
40	60	15	M6	13008077	13008090
50	78	19	M8	13008068	13008110

- High torsional holding power
- Easy assembly
- Mild and stainless steel construction available
- Nypatch® anti-vibration screws
- Precision honed bores
- Backlash free

- Imperial bores available
 - Some sizes available in aluminium
- Please ask for details

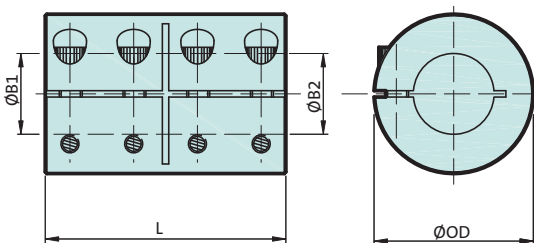
MCLX one piece plain bore



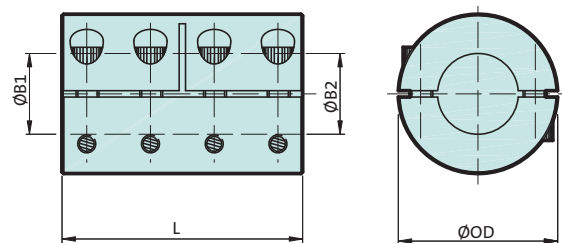
MSPX two piece plain bore

Plain bores

TYPE MCLX



TYPE MSPX



Bore B1	Bore B2	OD	Length	Clamp screw	Part No. steel one piece MCLX	Part No. S/steel one piece MCLX	Part No. steel two piece MSPX	Part No. s/steel two piece MSPX
6	6	18	30	M3	13004763	13004710	13004754	13004750
8	8	24	35	M3	13004731	13004728	13004740	13004744
10	10	29	45	M4	13004730	13004746	13004717	13004762
12	12	29	45	M4	13004720	13004720	13004736	13004725
14	14	34	50	M5	13004726	13004726	13004757	13004734
15	15	34	50	M5	13004709	13004748	13004751	13004735

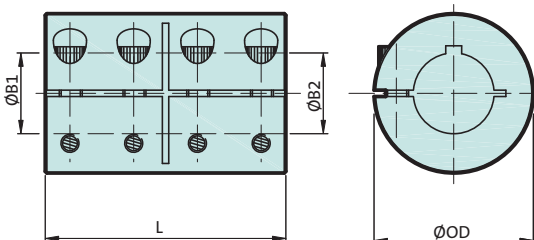
Ordering example
 3 off one piece steel with plain 8mm bores.
 6 off two piece steel with 15mm plain bores.

3 off MCLX type no.	13004731
6 off MSPX type no.	13004735

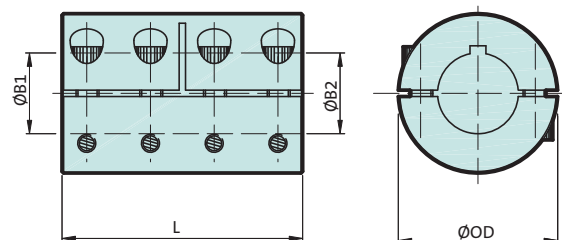
Maximum speed 3000

Keywayed bores

TYPE MCLC



TYPE MSPC



Bore B1	Bore B2	OD	Length	Clamp screw	Key (mm)	Type No. steel one piece MCLC	Type No. S/steel one piece MCLC	Type No. steel two piece MSPC	Type No. s/steel two piece MSPC
16	16	34	50	M5	5x5	13004743	13004708	13004721	13004745
20	20	42	65	M6	6x6	13004739	13004727	13004759	13004749
25	25	45	75	M6	8x8	13004741	13004733	13004714	13004752
30	30	53	83	M6	8x8	13004738	13004760	13004761	13004766
35	35	67	95	M8	10x10	13004747	13004712	13004713	13004715
40	40	77	108	M8	12x12	13004718	13004724	13004764	13004722
50	50	85	124	M10	14x14	13004755	13004765	13004729	13004758

Ordering example
 5 off one piece stainless steel with keywayed 16mm bores.
 2 off two piece steel with 20mm keywayed bores.

5 off MCLC type no.	13004708
2 off MSPC type no.	13004759

Maximum speed 3000