

Mechanical Diagrams (Dimensions in mm)

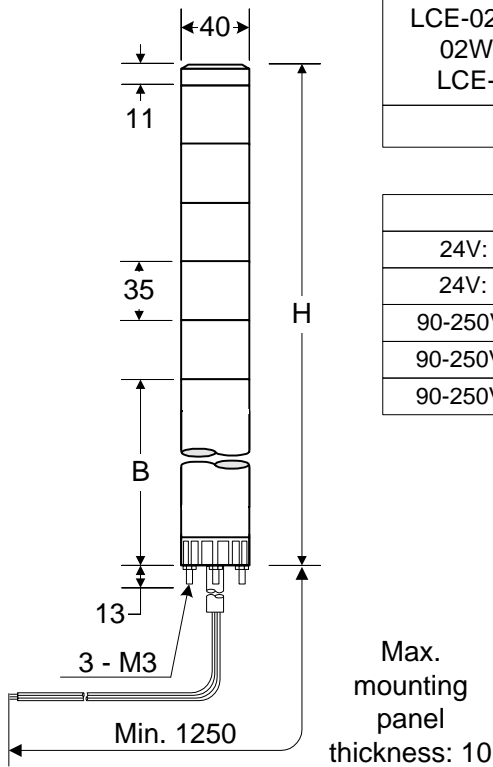
LCE

Tower Height [H]	
LCE-02, LCE-02FB, LCE-02W, LCE-02FBW, LCE-M2, LCE-M2W	LCE-M2FB, LCE-M2FBW
1 Light : 158	1 Light : 213
2 Lights : 193	2 Lights : 248
3 Lights : 228	3 Lights : 283
4 Lights : 263	4 Lights : 318
5 Lights : 298	5 Lights : 353

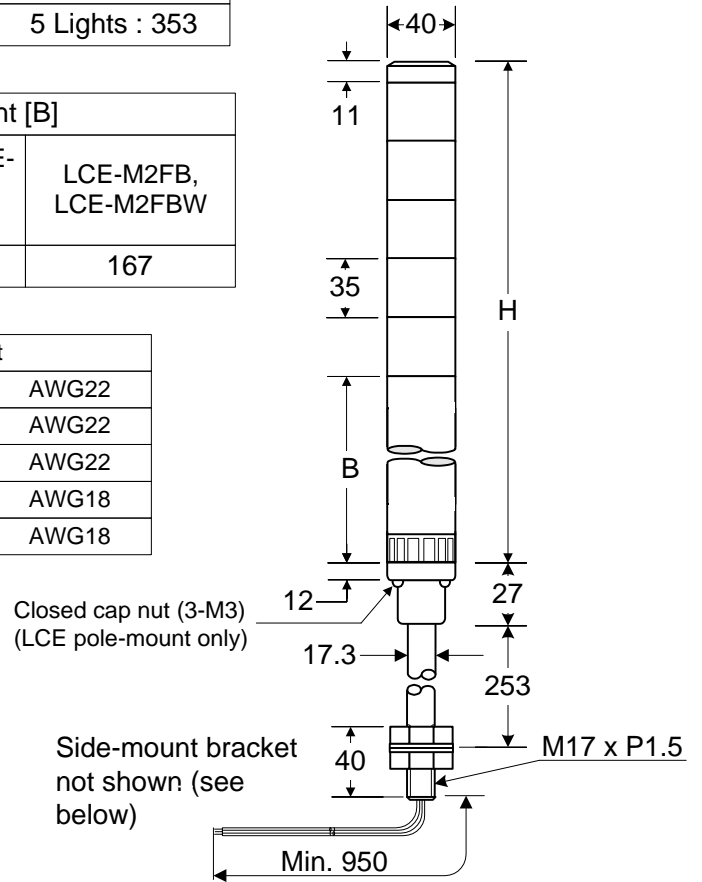
Base Height [B]	
LCE-02, LCE-02FB, LCE-02W, LCE-02FBW, LCE-M2, LCE-M2W	LCE-M2FB, LCE-M2FBW
112	167

Wire Size Chart	
24V: Signal Wires	AWG22
24V: Power Wires	AWG22
90-250V: Signal Wires	AWG22
90-250V: Power Wires	AWG18
90-250V: Ground Wire	AWG18

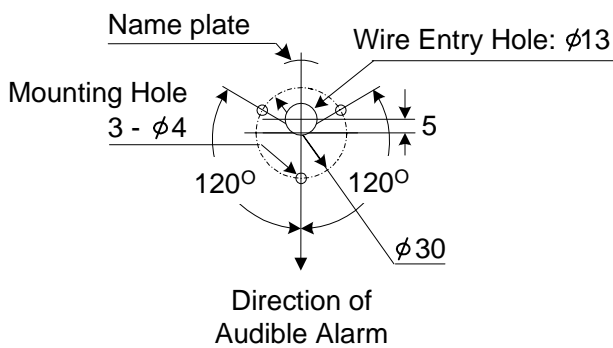
Direct Mount



Pole Mount



Mounting Dimensions



Side-mount Bracket (Supplied)

