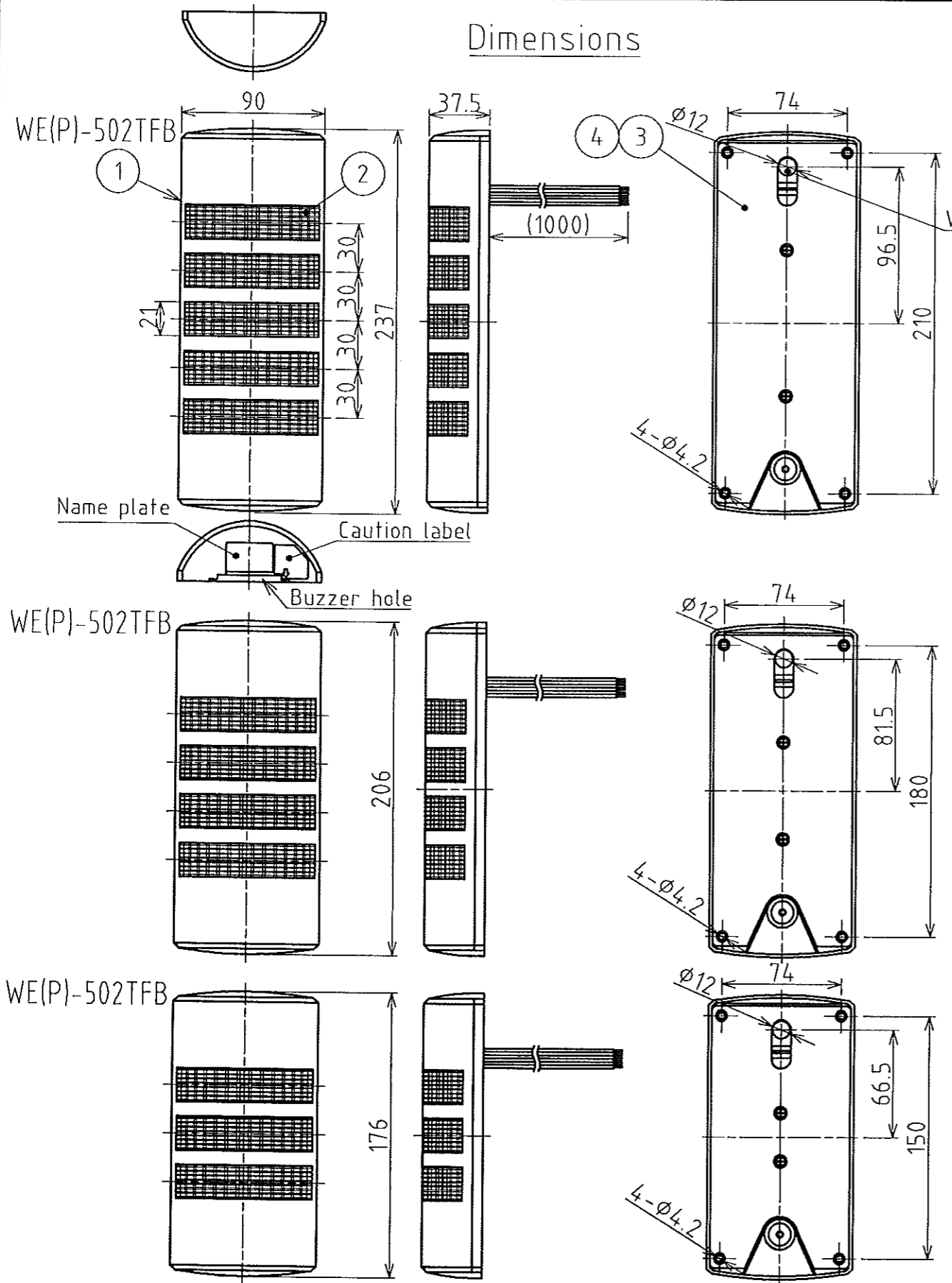


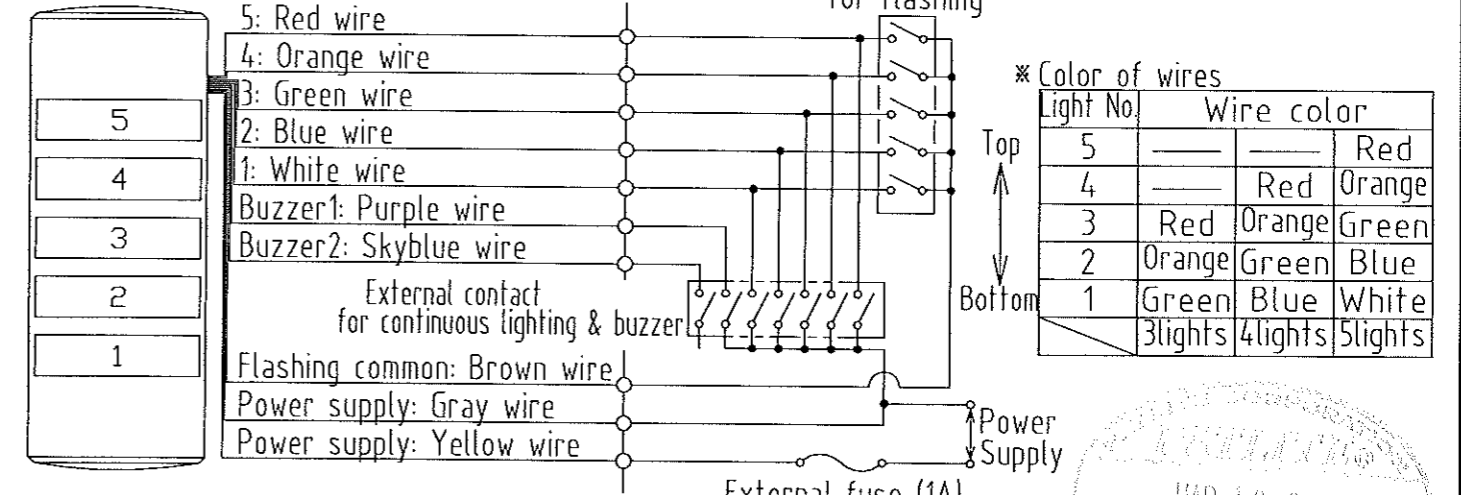
指定公差 General tolerance	角度公差 Angular tolerance ± [°]	寸法公差 Dimensional tolerance ± [mm]					符号 Sym.	年月日 Date	訂正履歴 Revisions	記印 Sgn.	検印 Chk.	承認 App.	
	短辺長さ Length of short side	~	~	~	100	6	30	120	300	1000	△	-	
	精	f	0.05	0.1	0.2	0.4	0.6	△	-	-	-	-	
	粗	v	1.5	1	0.5	粗	c	0.3	0.5	1	1.2	2	△

Dimensions



Wiring

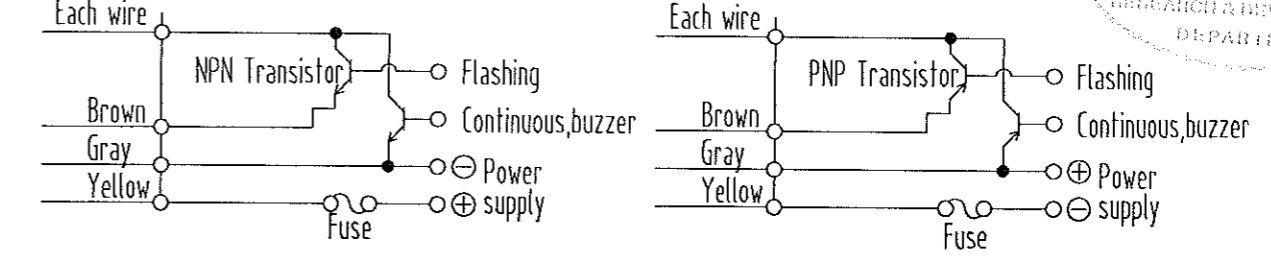
Wire type: UL1007/AWG22



* Color of wires

Light No.	Wire color
5	Red
4	Red Orange
3	Red Orange Green
2	Orange Green Blue
1	Green Blue White

Transistor drive (24V DC)

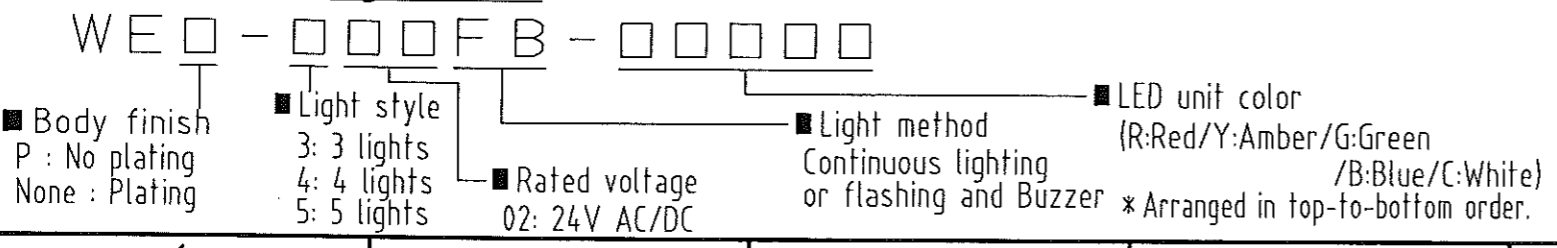


Note

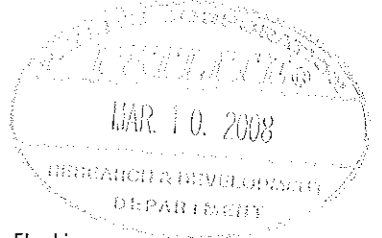
1. Insulate ends of unused wires by tape or any other suitable thing.
2. Use "Class 2 circuit" for the power supply source.
3. Concerning fuse and fuse-holder, use the products authorized by UL Inc.
4. Use the fuse conforming to the rated current of the machine on which the product is installed. (Example: Class J type fuse)
5. Two independent common lines are required for continuous lighting and flashing for a Programmable Controller and etc.
6. Do not contact flashing common and continuous lighting common with one LED unit simultaneously. Otherwise unexpected LED units may turn on. To avoid this, continuous lighting and flashing must be switched alternately.
7. Buzzer 1 takes precedence of buzzer 2 when they are in operation simultaneously.

4	Waterproof sheet	-	1	CR (Black)
3	Body	-	1	ABS (Light gray)
2	Lens	-	1	PC (Clear)
1	Cover	-	1	ABS (Light gray) Chromium plating(WE only)

Model No. configuration

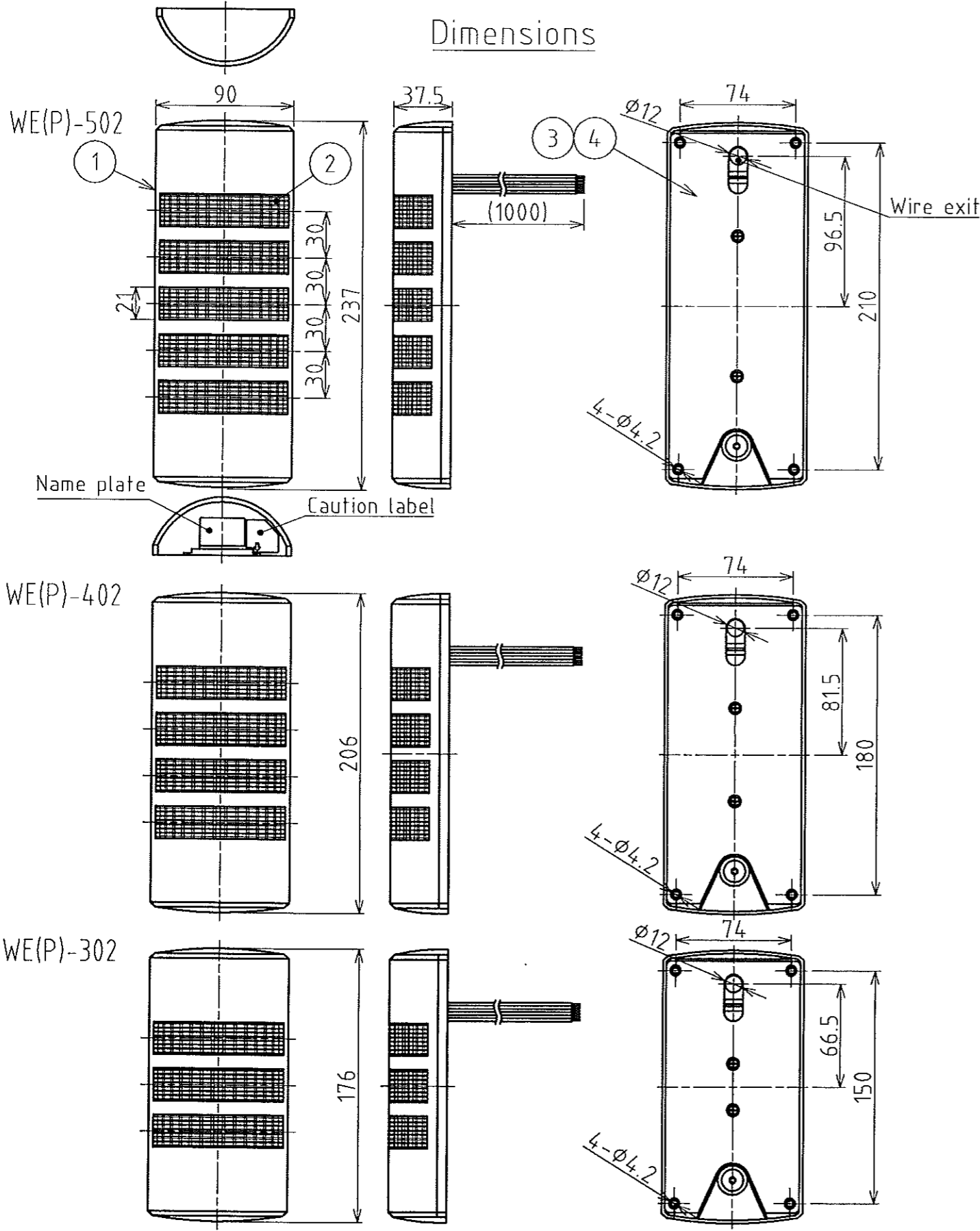


設計 Dgn.by	製図 Drn.by	検図 Chk.by	承認 App.by	図名 Name	機種名 Model	特注No. S.P.No.
A.Ikeda	Y.Nagayama			Specifications	WE(P)-□ 02FB	
13.Dec.'99	5.Mar.'08			Dimensions	品目コード Part No.	
三角法 3rd Angle P.	単位 Unit mm	尺度 Scale		株式会社 パトライト PATLITE Corporation	図番 Drawing No.	WE-502FB-A18A-2/2



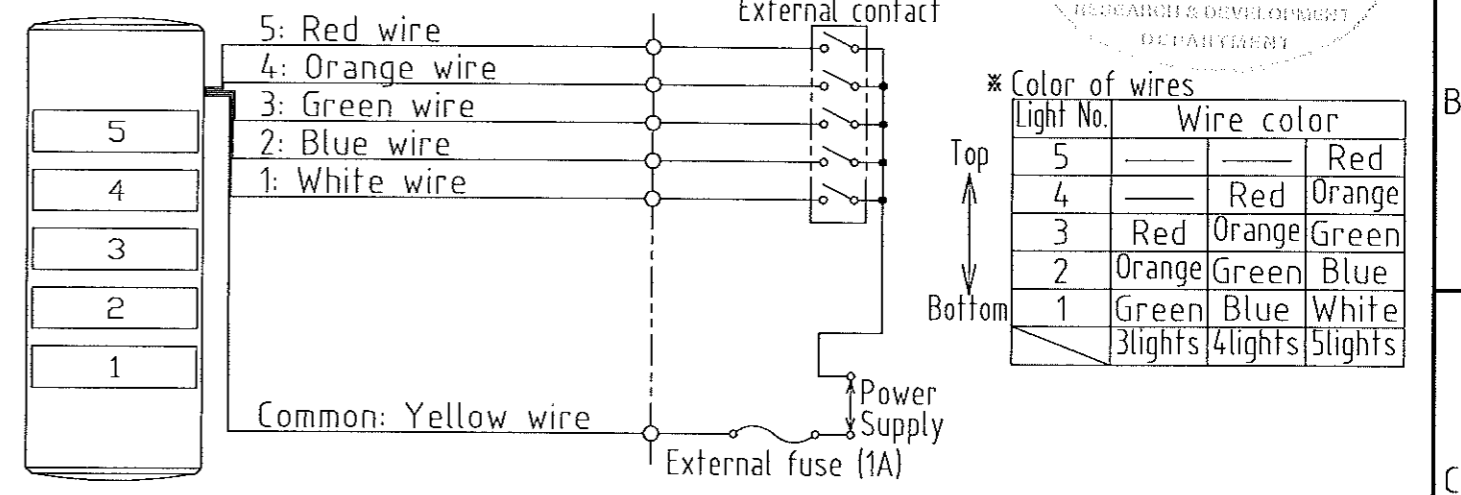
指定公差 Angular tolerance 短辺長 Length of short side 一般公差 General tolerance	角度公差 ± [°] ~ ~ ~ 100 10 50 100 1 0.5 0.3 0.1 3 1.5 1 0.5	寸法公差 ± [mm] Dimensional tolerance 6 30 120 300 1000 精 f 0.05 0.1 0.2 0.4 0.6 中 m 0.1 0.3 0.5 0.7 1 粗 c 0.3 0.5 1 1.2 2	符号 Sym.	年月日 Date	訂正履歴 Revisions	記印 Sgn.	検印 Chk.	承認 App.
---	--	---	------------	-------------	-------------------	------------	------------	------------

Dimensions

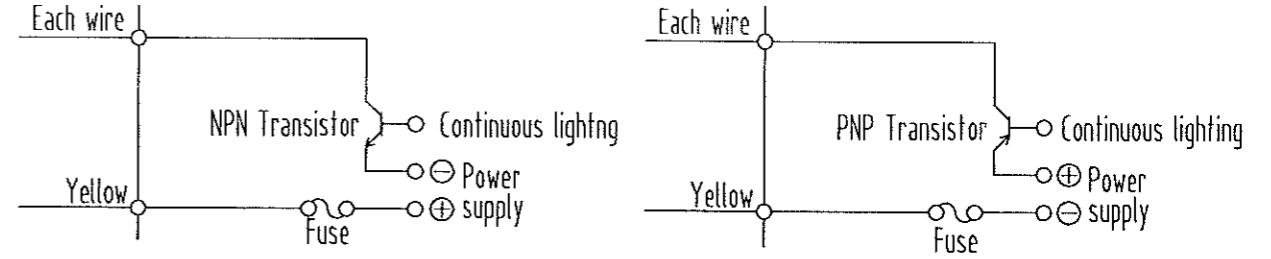


Wiring

Wire type: UL1007/AWG22



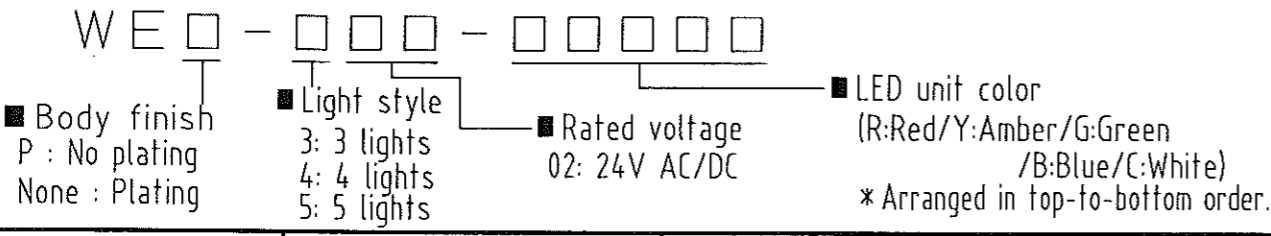
Transistor drive (24V DC)



Note

1. Insulate ends of unused wires by tape or any other suitable thing.
2. Use "Class 2 circuit" for power supply source.
3. Concerning fuse and fuse-holder, use the products authorized by UL Inc.
4. Use the fuse conforming to the rated current of the machine on which the product is installed. (Example: Class J type fuse)

Model No. configuration



4	Waterproof sheet	-	1	CR (Black)	
3	Body	-	1	ABS (Light gray)	
2	Lens	-	1	PC (Clear)	
1	Cover	-	1	ABS (Light gray) Chromium plating(WE only)	

番号 No.	部品名 Part Name	品目コード Part No.	数量 Qty.	材料 & 寸法 & 処理 Material & Size & Finish	記事 Remarks
設計 Dgn.by	製造 Drn.by	検閲 Chk.by	承認 App.by	図名 Name	規格名 Model
A.Ikeda	Y.Nagayama			Specifications	WE(P)-□02
13.Dec.'99	5.Mar.'08			Dimensions	品目コード Part No.
三角法 3rd Angle P.	単位 Unit mm	尺度 Scale		株式会社 パトライト PATLITE Corporation	図番 Drawing No. WE-502-A18A-2/2

