

Panasonic | geared brake motors

**6W
1 phase
braked**

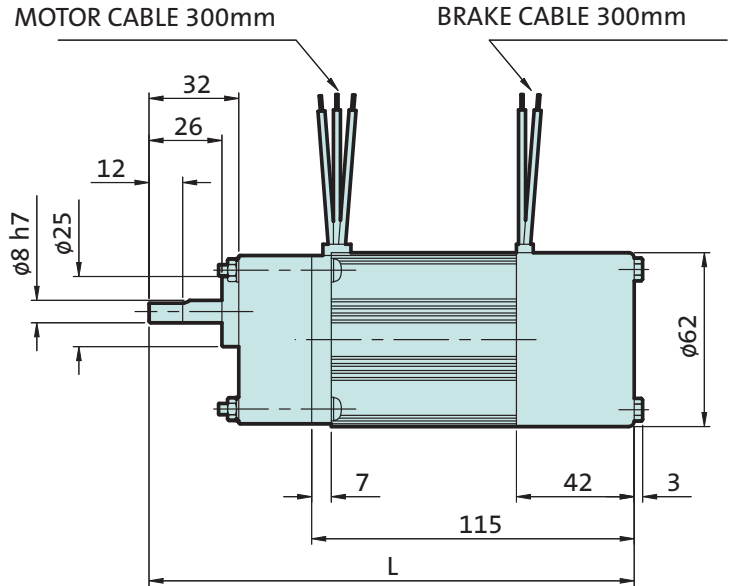
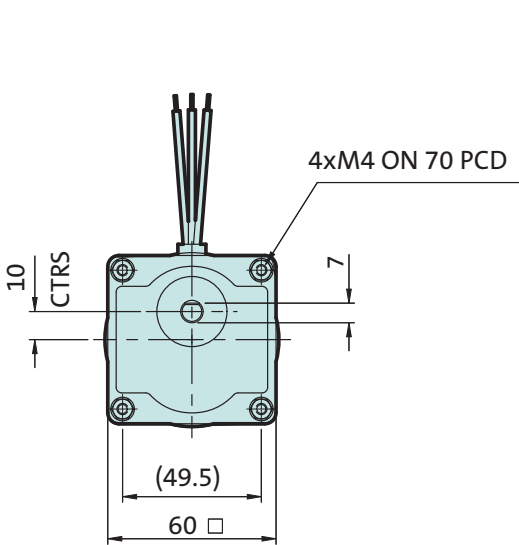
Brake motors feature a spring applied electromagnetic brake suitable for emergency stop and holding torques.

The brake is operated from mains supply connections. Up to six stops/starts per minute are possible.

MX6G gearbox



- Rated 230V ± 10% and 50 Hz
- Intermittent duty S2
- Enclosure IP22
- Supplied with 0.6µF run capacitor
- Thermal protection by impedance current limiting
- RoHS compliant



Nominal speed r/min	Gearbox model number	1 phase Brake Motor			Assembly number	Length L	Weight kg
		Actual speed @230V	Rated torque Nm	Braking torque Nm			
500	MX6G 3BA	433	0.11	0.15	PAN G3 006 BGG 500.0 XL1	173	1.2
300	MX6G 5BA	260	0.18	0.25	PAN G3 006 BGG 300.0 XL1	173	
200	MX6G 7.5BA	173	0.27	0.36	PAN G3 006 BGG 200.0 XL1	173	
150	MX6G 10BA	130	0.36	0.49	PAN G3 006 BGG 150.0 XL1	173	
100	MX6G 15BA	87	0.53	0.73	PAN G3 006 BGG 100.0 XL1	173	
75	MX6G 20BA	65	0.64	0.98	PAN G3 006 BGG 075.0 XL1	173	
60	MX6G 25BA	52	0.89	1.2	PAN G3 006 BGG 060.0 XL1	173	
50	MX6G 30B	43	1.0	1.5	PAN G3 006 BGG 050.0 XL1	180	
30	MX6G 50B	26	1.7	2.5	PAN G3 006 BGG 030.0 XL1	180	
20	MX6G 75B*	17	2.5	2.5	PAN G3 006 BGG 020.0 XL1	180	
15	MX6G 100B*	13	2.5	2.5	PAN G3 006 BGG 015.0 XL1	180	
12.5	MX6G 120B*	11	2.5	2.5	PAN G3 006 BGG 012.5 XL1	180	
10	MX6G 150B*	9	2.5	2.5	PAN G3 006 BGG 010.0 XL1	180	
8.3	MX6G 180B*	7	2.5	2.5	PAN G3 006 BGG 008.3 XL1	180	

* torque limiter recommended
 The last digit '1' signifies standard mounting position 1 as shown. For further mounting positions please see page 7. Motor details see page 38.
 Lower speeds available on request.

Panasonic | geared brake motors

**15W
1 phase
braked**

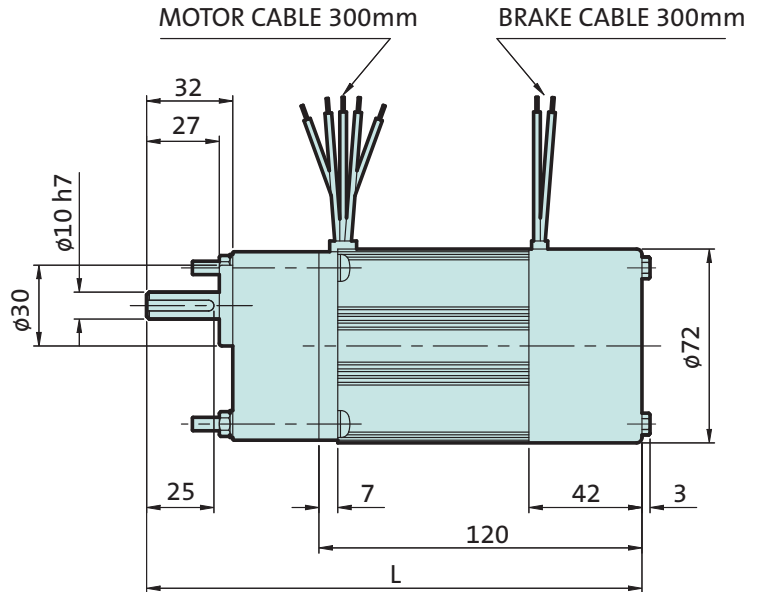
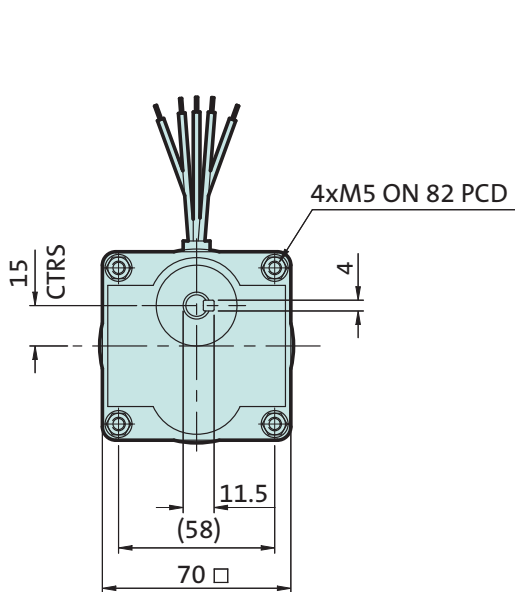
Brake motors feature a spring applied electromagnetic brake suitable for emergency stop and holding torques.

The brake is operated from mains supply connections. Up to six stops/starts per minute are possible.

MX7G gearbox



- Rated 230V ± 10% and 50 Hz
- Intermittent duty S2
- Enclosure IP22
- Supplied with 1.3µF run capacitor
- Integrated thermal protection switch (For external connection)
- RoHS compliant



1 phase Brake Motor Model Number : M7RX15GB4GGA							
Nominal speed r/min	Gearbox model number	Actual speed @230V	Rated torque Nm	Braking torque Nm	Assembly number	Length L	Weight kg
500	MX7G 3BA	433	0.27	0.24	PAN G3 015 BGG 500.0 XL1	182	1.6
300	MX7G 5BA	260	0.44	0.40	PAN G3 015 BGG 300.0 XL1	182	
200	MX7G 7.5BA	173	0.66	0.60	PAN G3 015 BGG 200.0 XL1	182	
150	MX7G 10BA	130	0.89	0.80	PAN G3 015 BGG 150.0 XL1	182	
100	MX7G 15BA	87	1.3	1.2	PAN G3 015 BGG 100.0 XL1	182	
75	MX7G 20BA	65	1.8	1.6	PAN G3 015 BGG 075.0 XL1	182	
60	MX7G 25BA	52	2.2	2.4	PAN G3 015 BGG 060.0 XL1	182	
50	MX7G 30B	43	2.5	4.0	PAN G3 015 BGG 050.0 XL1	188	
30	MX7G 50B	26	4.1	4.9*	PAN G3 015 BGG 030.0 XL1	188	
20	MX7G 75B*	17	4.9*	4.9*	PAN G3 015 BGG 020.0 XL1	188	
15	MX7G 100B*	13	4.9*	4.9*	PAN G3 015 BGG 015.0 XL1	188	
12.5	MX7G 120B*	11	4.9*	4.9*	PAN G3 015 BGG 012.5 XL1	188	
10	MX7G 150B*	9	4.9*	4.9*	PAN G3 015 BGG 010.0 XL1	188	
8.3	MX7G 180B*	7	4.9*	4.9*	PAN G3 015 BGG 008.3 XL1	188	

* torque limiter recommended

The last digit '1' signifies standard mounting position 1 as shown. For further mounting positions please see page 7. Motor details see page 38.

Lower speeds available on request.

Panasonic | geared brake motors

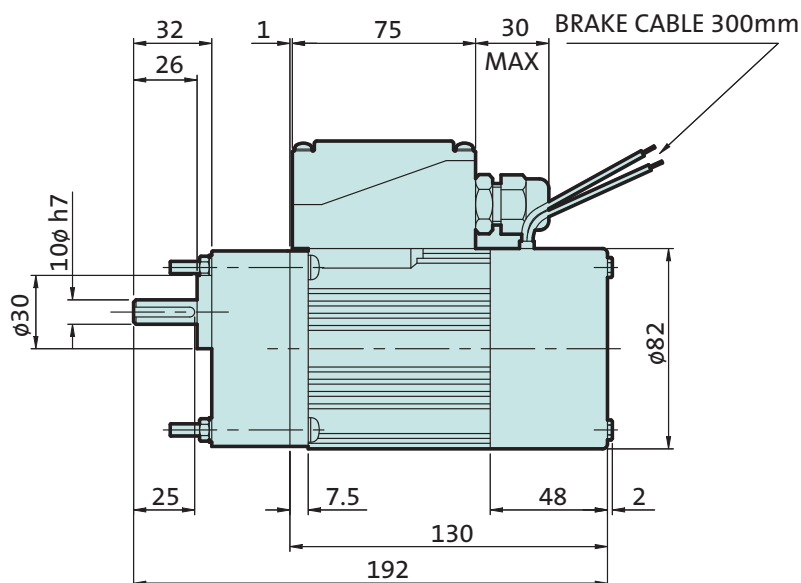
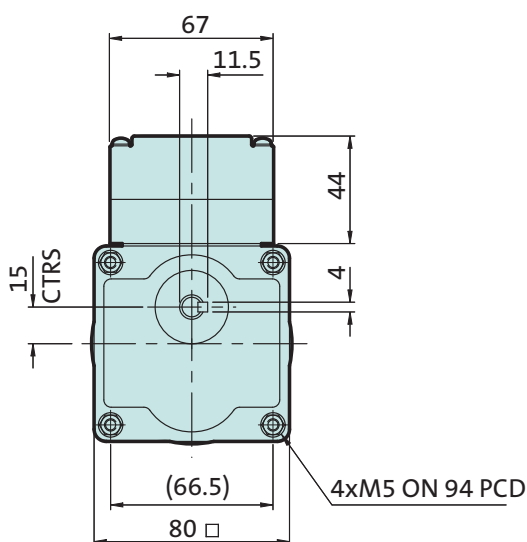
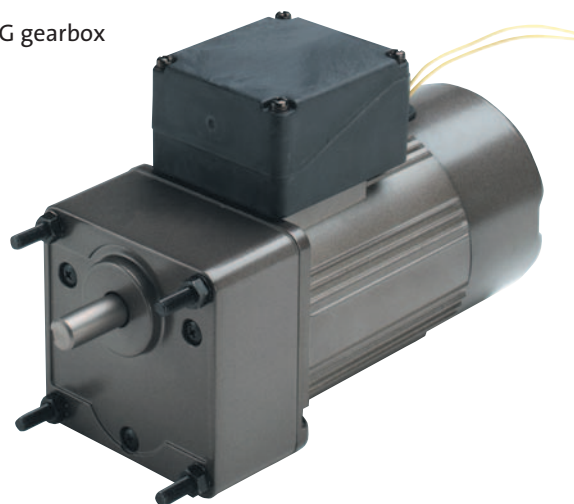
**25W
braked**

Brake motors feature a spring applied electromagnetic brake suitable for emergency stop and holding torques.

The brake is operated from mains supply connections. Up to six stops/starts per minute are possible.

- Rated 230V ± 10% and 50 Hz
- 1 phase models intermittent duty S2
- 3 phase models, continuous duty S1
- Enclosure IP44
- Supplied phase model supplied with 2.0μF run capacitor
- Integrated thermal protection switch (For external connection)
- RoHS compliant

MX8G gearbox



Nominal speed r/min	Gearbox model number	1 phase Brake Motor Model Number : M8RX25GR4GG1				3 phase Brake Motor Model Number : M8MX25GR4YG1			
		Actual speed @230V	Rated torque Nm	Braking torque Nm	Assembly number	Actual speed @230V	Rated torque Nm	Braking torque Nm	Assembly number
500	MX8G 3B	425	0.46	0.30	PAN G3 025 BGG 500.0 XK1	458	0.41	0.3	PAN G3 025 BYG 500.0 XK1
300	MX8G 5B	255	0.77	0.50	PAN G3 025 BGG 300.0 XK1	275	0.69	0.5	PAN G3 025 BYG 300.0 XK1
200	MX8G 7.5B	170	1.2	0.75	PAN G3 025 BGG 200.0 XK1	183	1.0	0.8	PAN G3 025 BYG 200.0 XK1
150	MX8G 10B	128	1.5	1.0	PAN G3 025 BGG 150.0 XK1	138	1.4	1.0	PAN G3 025 BYG 150.0 XK1
100	MX8G 15B	85	2.3	1.5	PAN G3 025 BGG 100.0 XK1	92	2.1	1.5	PAN G3 025 BYG 100.0 XK1
75	MX8G 20B	64	3.1	2.0	PAN G3 025 BGG 075.0 XK1	69	2.8	2.0	PAN G3 025 BYG 075.0 XK1
60	MX8G 25B	51	3.8	2.5	PAN G3 025 BGG 060.0 XK1	55	3.4	2.5	PAN G3 025 BYG 060.0 XK1
50	MX8G 30B	43	4.3	3.0	PAN G3 025 BGG 050.0 XK1	46	3.8	3.0	PAN G3 025 BYG 050.0 XK1
30	MX8G 50B	26	7.1	3.6	PAN G3 025 BGG 030.0 XK1	28	6.4	5.0	PAN G3 025 BYG 030.0 XK1
20	MX8G 75B*	17	7.8	5.0	PAN G3 025 BGG 020.0 XK1	18	7.80	7.50	PAN G3 025 BYG 020.0 XK1
15	MX8G 100B*	13	7.8	7.5	PAN G3 025 BGG 015.0 XK1	14	7.80	7.80	PAN G3 025 BYG 015.0 XK1
12.5	MX8G 120B*	11	7.8	7.8	PAN G3 025 BGG 012.5 XK1	11	7.80	7.80	PAN G3 025 BYG 012.5 XK1
10	MX8G 150B*	9	7.8	7.8	PAN G3 025 BGG 010.0 XK1	9	7.80	7.80	PAN G3 025 BYG 010.0 XK1
8.3	MX8G 180B*	7	7.8	7.8	PAN G3 025 BGG 008.3 XK1	8	7.80	7.80	PAN G3 025 BYG 008.3 XK1

* torque limiter recommended

Geared motor weight = 2.5kg

The last digit '1' signifies standard mounting position 1 as shown. For further mounting positions please see page 7.

Motor details see page 38.

Lower speeds available on request.

400V available on request.

Panasonic | geared brake motors

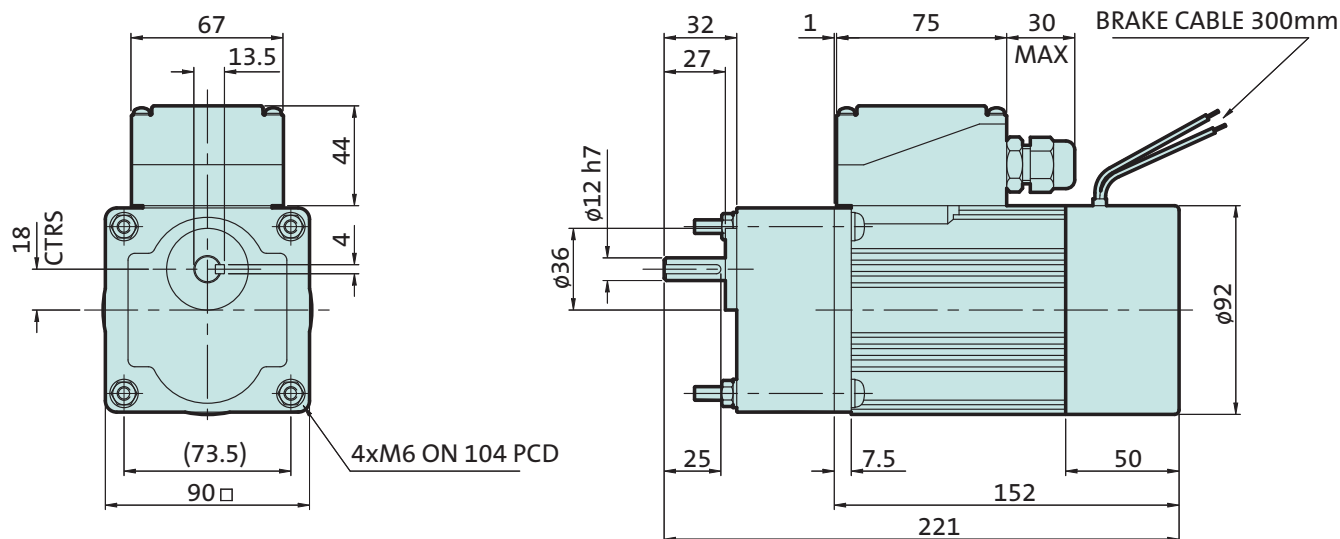
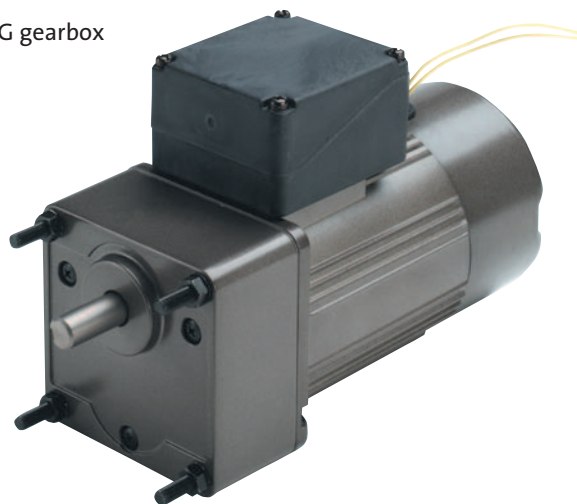
**40W
braked**

Brake motors feature a spring applied electromagnetic brake suitable for emergency stop and holding torques.

The brake is operated from mains supply connections. Up to six stops/starts per minute are possible.

- Rated 230V ± 10% and 50 Hz
- 1 phase models intermittent duty S2
3 phase models, continuous duty S1
- Enclosure IP44
- Single phase model supplied with 3.5µF run capacitor
- Integrated thermal protection switch (For external connection)
- RoHS compliant

MX9G gearbox



Nominal speed r/min	Gearbox model number	1 phase Brake Motor Model Number : M9RX40GR4GG1				3 phase Brake Motor Model Number : M9MX40GR4YG1				Length L
		Actual speed @230V	Rated torque Nm	Braking torque Nm	Assembly number	Actual speed @230V	Rated torque Nm	Braking torque Nm	Assembly number	
500	MX9G 3B	450	0.68	0.6	PAN G3 040 BGG 500.0 XL1	467	0.66	0.6	PAN G3 040 BYG 500.0 XL1	221
300	MX9G 5B	270	1.1	1.0	PAN G3 040 BGG 300.0 XL1	280	1.1	1.0	PAN G3 040 BYG 300.0 XL1	
200	MX9G 7.5B	180	1.7	1.5	PAN G3 040 BGG 200.0 XL1	187	1.6	1.5	PAN G3 040 BYG 200.0 XL1	
150	MX9G 10B	135	2.3	2.0	PAN G3 040 BGG 150.0 XL1	140	2.2	2.0	PAN G3 040 BYG 150.0 XL1	
100	MX9G 15B	90	3.4	3.0	PAN G3 040 BGG 100.0 XL1	93	3.3	3.0	PAN G3 040 BYG 100.0 XL1	
75	MX9G 20B	68	4.2	4.0	PAN G3 040 BGG 075.0 XL1	70	4.4	4.0	PAN G3 040 BYG 075.0 XL1	
60	MX9G 25B	54	5.3	5.0	PAN G3 040 BGG 060.0 XL1	56	5.5	5.0	PAN G3 040 BYG 060.0 XL1	
50	MX9G 30B	45	6.3	6.0	PAN G3 040 BGG 050.0 XL1	47	6.1	6.0	PAN G3 040 BYG 050.0 XL1	
30	MX9G 50B*	27	9.8	9.8	PAN G3 040 BGG 030.0 XL1	28	9.8	9.8	PAN G3 040 BYG 030.0 XL1	
20	MX9G 75B*	18	9.8	9.8	PAN G3 040 BGG 020.0 XL1	19	9.8	9.8	PAN G3 040 BYG 020.0 XL1	
15	MX9G 100B*	14	9.8	9.8	PAN G3 040 BGG 015.0 XL1	14	9.8	9.8	PAN G3 040 BYG 015.0 XL1	
12.5	MX9G 120B*	11	9.8	9.8	PAN G3 040 BGG 012.5 XL1	12	9.8	9.8	PAN G3 040 BYG 012.5 XL1	
10	MX9G 150B*	9	9.8	9.8	PAN G3 040 BGG 010.0 XL1	9	9.8	9.8	PAN G3 040 BYG 010.0 XL1	
8.3	MX9G 180B*	8	9.8	9.8	PAN G3 040 BGG 008.3 XL1	8	9.8	9.8	PAN G3 040 BYG 008.3 XL1	

* torque limiter recommended

Geared motor weight = 4.0kg

The last digit '1' signifies standard mounting position 1 as shown. For further mounting positions please see page 7.

Motor details see page 38.

Lower speeds available on request.

400V available on request.

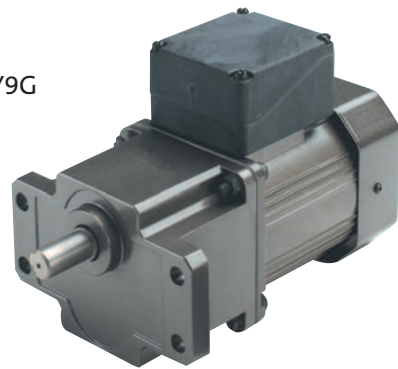
Panasonic | geared brake motor

Brake motors feature a spring applied electromagnetic brake suitable for emergency stop and holding torques.

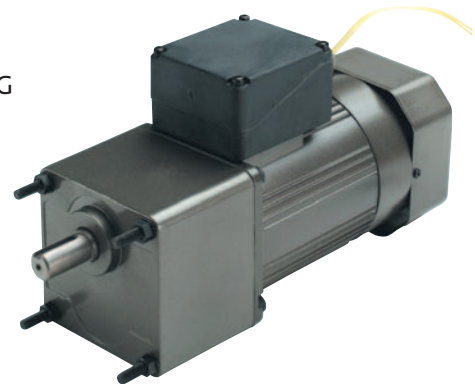
The brake incorporates an integrated brake rectifier so can be operated from mains supply. Up to six stops/starts per minute are possible. Flanged and square gearboxes are available.

For fixed speed applications 230V 1 phase versions are available. 230V 3 phase versions are available for variable speed applications and can be used with a Lenze inverter.

Flanged MY9G gearbox



Square MZ9G gearbox



- Rated 230V ± 10% and 50 Hz
- 1 phase models intermittent duty S2
3 phase models, continuous duty S1
- Enclosure IP44
- Single phase model supplied with 5.0µF run capacitor
- Integrated thermal protection switch (For external connection)
- RoHS compliant

Nominal speed r/min	Gearbox model number	1 phase Brake Motor Model Number : M9RZ60GR4GG1				3 phase Brake Motor Model Number : M9MZ60GR4YG1				Weight Kg
		Actual speed @230V	Rated torque Nm	Braking torque Nm	Assembly number	Actual speed @230V	Rated torque Nm	Braking torque Nm	Assembly number	
500	M#9G 3B	433	1.1	1.2	PAN G3 060 BGG 500.0 #K1	467	1	1.2	PAN G3 060 BYG 500.0 #K1	4.6
300	M#9G 5B	260	1.8	2.0	PAN G3 060 BGG 300.0 #K1	280	1.7	2.0	PAN G3 060 BYG 300.0 #K1	
200	M#9G 7.5B	173	2.7	3.0	PAN G3 060 BGG 200.0 #K1	187	2.5	2.9	PAN G3 060 BYG 200.0 #K1	
150	M#9G 10B	130	3.6	3.9	PAN G3 060 BGG 150.0 #K1	140	3.1	3.9	PAN G3 060 BYG 150.0 #K1	
100	M#9G 15B	87	5.0	5.9	PAN G3 060 BGG 100.0 #K1	93	4.6	5.9	PAN G3 060 BYG 100.0 #K1	
75	M#9G 20B	65	6.6	7.8	PAN G3 060 BGG 075.0 #K1	70	5.7	7.8	PAN G3 060 BYG 075.0 #K1	
60	M#9G 25B	52	8.3	9.8	PAN G3 060 BGG 060.0 #K1	56	7.2	9.8	PAN G3 060 BYG 060.0 #K1	
50	M#9G 30B	43	9.9	11.7	PAN G3 060 BGG 050.0 #K1	47	8.6	11.7	PAN G3 060 BYG 050.0 #K1	
30	M#9G 50B	26	15.4	19.5	PAN G3 060 BGG 030.0 #K1	28	14.4	19.5	PAN G3 060 BYG 030.0 #K1	
20	M#9G 75B*	17	19.6	19.6	PAN G3 060 BGG 020.0 #K1	19	19.6	19.6	PAN G3 060 BYG 020.0 #K1	
15	M#9G 100B*	13	19.6	19.6	PAN G3 060 BGG 015.0 #K1	14	19.6	19.6	PAN G3 060 BYG 015.0 #K1	
12.5	M#9G 120B*	11	19.6	19.6	PAN G3 060 BGG 012.5 #K1	12	19.6	19.6	PAN G3 060 BYG 012.5 #K1	
10	M#9G 150B*	9	19.6	19.6	PAN G3 060 BGG 010.0 #K1	9	19.6	19.6	PAN G3 060 BYG 010.0 #K1	
7.5	M#9G 200B*	7	19.6	19.6	PAN G3 060 BGG 007.5 #K1	7	19.6	19.6	PAN G3 060 BYG 007.5 #K1	

HIGHER TORQUES – available from 30 r/min and slower, see following 60W high torque pages.

* torque limiter recommended

The last digit '1' signifies standard mounting position 1 as shown. For further mounting positions please see page 7.

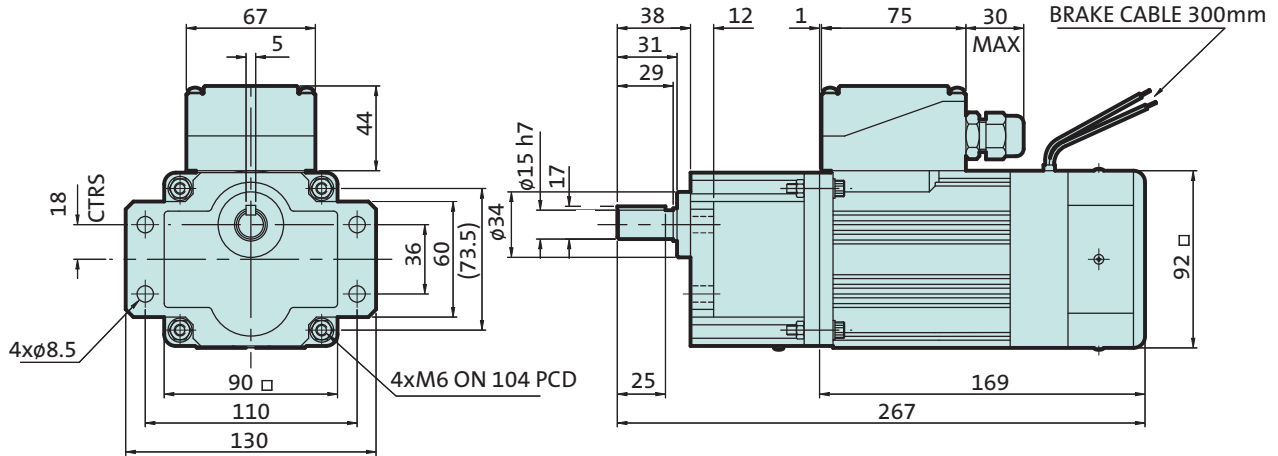
Motor details see page 38.

Lower speeds available on request.

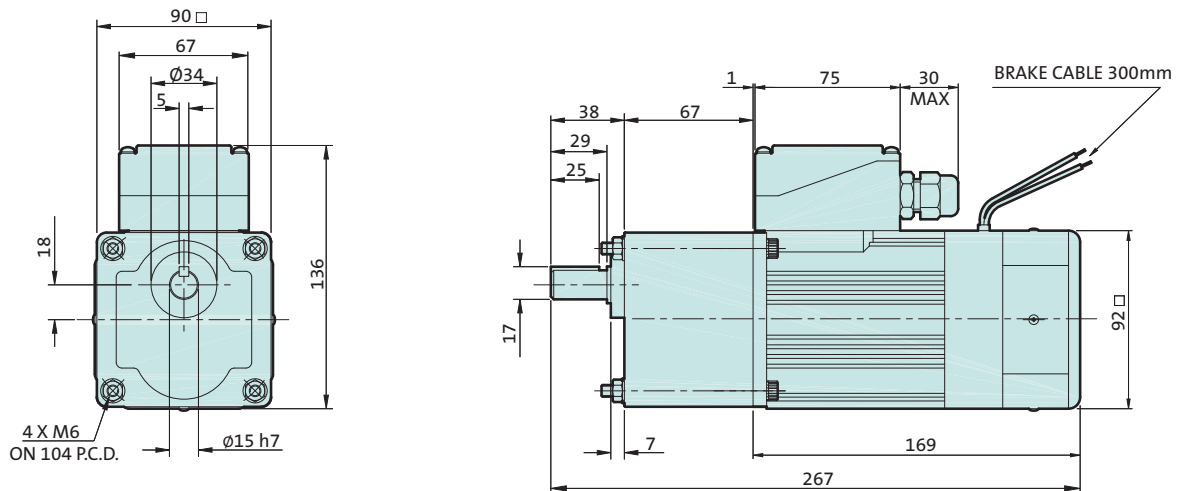
400V available on request.

**60W
braked**

Flanged gearbox



Square gearbox



Ordering specification and example

Replace the letter # from the assembly number with a 'Y' for flanged gearbox or 'Z' for square gearbox as required. Examples:

100 r/min flanged with 1 phase brake motor
10 r/min square with 3 phase brake motor

PAN G3 060 BGG 100.0 Y K1
PAN G3 060 BYG 010.0 Z K1

See page 7 for terminal box positions and feet.

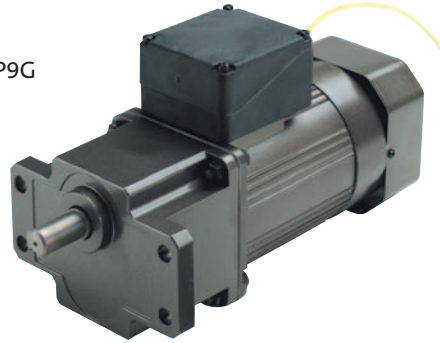
Panasonic | geared brake motor

Brake motors feature a spring applied electromagnetic brake suitable for emergency stop and holding torques.

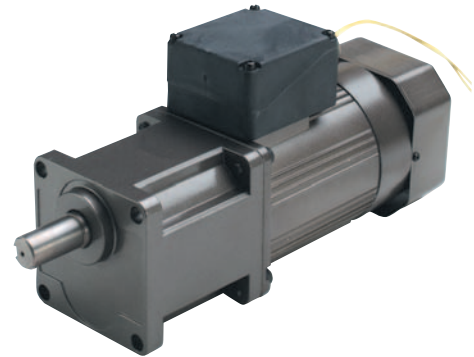
The brake is operated from mains supply connections. Up to six stops/starts per minute are possible. Flanged and square gearboxes are available.

For fixed speed applications 230V 1 phase versions are available. 230V 3 phase versions are available for variable speed applications and can be used with a Lenze inverter.

Flanged MP9G gearbox



Square MR9G gearbox



- Rated 230V ± 10% and 50 Hz
- 1 phase models intermittent duty S2
3 phase models, continuous duty S1
- Enclosure IP44
- Single phase models supplied with 5.0µF run capacitor
- Integrated thermal protection switch (For external connection)
- RoHS compliant

Nominal speed r/min	Gearbox model number	1 phase Brake Motor Model Number : M9RZ60GR4GG1				3 phase Brake Motor Model Number : M9MZ60GR4YG1				Weight Kg
		Actual speed @230V	Rated torque Nm	Braking torque Nm	Assembly number	Actual speed @230V	Rated torque Nm	Braking torque Nm	Assembly number	
30	M#9G 50B	26	15.4	19.5	PAN G3 060 BGG 030.0 #K1	26.5	15.1	19.5	PAN G3 060 BYG 030.0 #K1	5.4
20	M#9G 75B*	17	23.1	19.6	PAN G3 060 BGG 020.0 #K1	17.7	22.6	19.6	PAN G3 060 BYG 020.0 #K1	
15	M#9G 100B*	13	29.4	19.6	PAN G3 060 BGG 015.0 #K1	13.3	29.4	19.6	PAN G3 060 BYG 015.0 #K1	
12.5	M#9G 120B*	11	29.4	19.6	PAN G3 060 BGG 012.5 #K1	11	29.4	19.6	PAN G3 060 BYG 012.5 #K1	
10	M#9G 150B*	9	29.4	19.6	PAN G3 060 BGG 010.0 #K1	8.8	29.4	19.6	PAN G3 060 BYG 010.0 #K1	
7.5	M#9G 200B*	7	29.4	19.6	PAN G3 060 BGG 007.5 #K1	6.6	29.4	19.6	PAN G3 060 BYG 007.5 #K1	

HIGHER SPEEDS – see the 60W and 90W selections on adjacent pages

* torque limiter recommended

The last digit '1' signifies standard mounting position 1 as shown. For further mounting positions please see page 7.

Motor details see page 38.

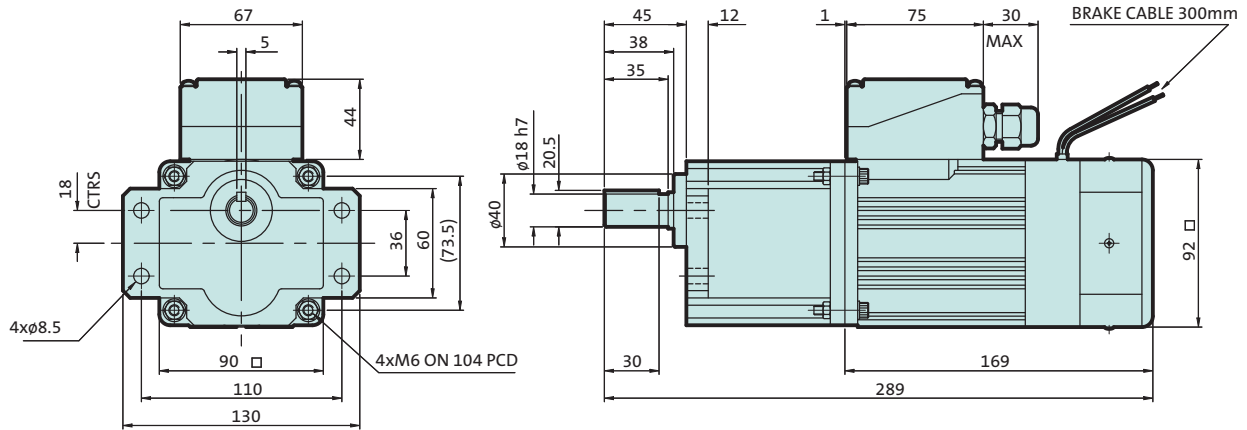
Lower speeds available on request.

400V brake motors also available.

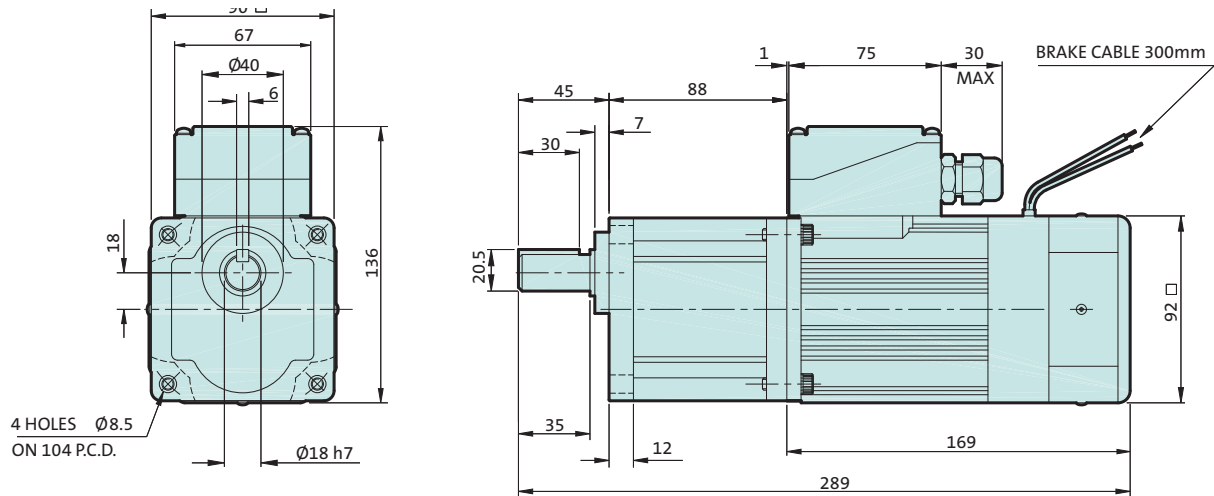
90W motors can be used for increased torque at 20 & 30 r/min.

**60W
braked
high torque**

Flanged gearbox



Square gearbox



Ordering specification and example

Replace the letter # from the assembly number with a 'P' for flanged gearbox or 'R' for square gearbox as required. Examples:

30 r/min 1 phase flanged brake motor
7.5 r/min 3 phase square brake motor motor

PAN G3 060 BGG 030.0 P K1
PAN G3 060 BYG 007.5 R K1

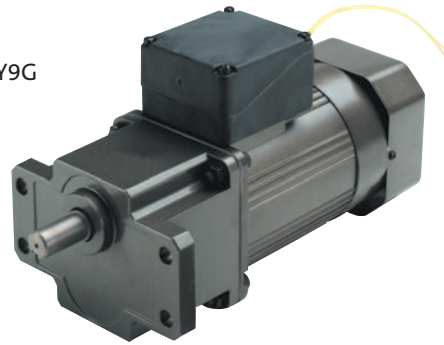
See page 7 for terminal box positions.

Panasonic | geared brake motor

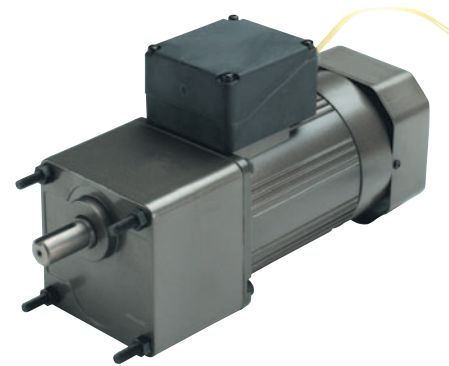
Brake motors feature a spring applied electromagnetic brake suitable for emergency stop and holding torques.

The brake is operated from mains supply connections. Up to six stops/starts per minute are possible. Flanged and square gearboxes are available.

For fixed speed applications 230V 1 phase versions are available. 230V 3 phase versions are available for variable speed applications and can be used with a Lenze inverter.



Flanged MY9G gearbox



Square MZ9G gearbox



- Rated 230V ± 10% and 50 Hz
- 1 phase models intermittent duty S2
3 phase models, continuous duty S1
- Enclosure IP44
- Single phase models supplied with 7.0µF run capacitor
- Integrated thermal protection switch (For external connection)

Nominal speed r/min	Gearbox model number	1 phase Brake Motor Model Number : M9RZ90GR4GG1				3 phase Brake Motor Model Number : M9MZ90GR4YG1				Weight Kg
		Actual speed @230V	Rated torque Nm	Braking torque Nm	Assembly number	Actual speed @230V	Rated torque Nm	Braking torque Nm	Assembly number	
500	M#9G 3B	425	1.6	1.2	PAN G3 090 BGG 500.0 #K1	467	1.5	1.2	PAN G3 090 BYG 500.0 #K1	5.2
300	M#9G 5B	255	2.7	2.0	PAN G3 090 BGG 300.0 #K1	280	2.5	2.0	PAN G3 090 BYG 300.0 #K1	
200	M#9G 7.5B	170	4.1	2.9	PAN G3 090 BGG 200.0 #K1	187	3.8	2.9	PAN G3 090 BYG 200.0 #K1	
150	M#9G 10B	128	5.4	3.9	PAN G3 090 BGG 150.0 #K1	140	5.0	3.9	PAN G3 090 BYG 150.0 #K1	
100	M#9G 15B	85	7.5	5.9	PAN G3 090 BGG 100.0 #K1	93	7.0	5.9	PAN G3 090 BYG 100.0 #K1	
75	M#9G 20B	64	10.1	7.8	PAN G3 090 BGG 075.0 #K1	70	9.3	7.8	PAN G3 090 BYG 075.0 #K1	
60	M#9G 25B	51	12.6	9.8	PAN G3 090 BGG 060.0 #K1	56	12	9.8	PAN G3 090 BYG 060.0 #K1	
50	M#9G 30B	43	15.1	11.7	PAN G3 090 BGG 050.0 #K1	47	14	11.7	PAN G3 090 BYG 050.0 #K1	
30	M#9G 50B*	26	19.6	19.5	PAN G3 090 BGG 030.0 #K1	28	21.7	19.5	PAN G3 090 BYG 030.0 #K1	
20	M#9G 75B*	17	19.6	19.6	PAN G3 090 BGG 020.0 #K1	19	19.6	19.6	PAN G3 090 BYG 020.0 #K1	
15	M#9G 100B*	13.5	19.6	19.6	PAN G3 090 BGG 015.0 #K1	14	19.6	19.6	PAN G3 090 BYG 015.0 #K1	
12.5	M#9G 120B*	11.8	19.6	19.6	PAN G3 090 BGG 012.5 #K1	12	19.6	19.6	PAN G3 090 BYG 012.5 #K1	
10	M#9G 150B*	9	19.6	19.6	PAN G3 090 BGG 010.0 #K1	9.3	19.6	19.6	PAN G3 090 BYG 010.0 #K1	
7.5	M#9G 200B*	6	19.6	19.6	PAN G3 090 BGG 007.5 #K1	7.0	19.6	19.6	PAN G3 090 BYG 007.5 #K1	

HIGHER TORQUES – available from 30 r/min and slower speeds, see previous 60W high torque pages.

* torque limiter recommended

The last digit '1' signifies standard mounting position 1 as shown. For further mounting positions please see page 7.

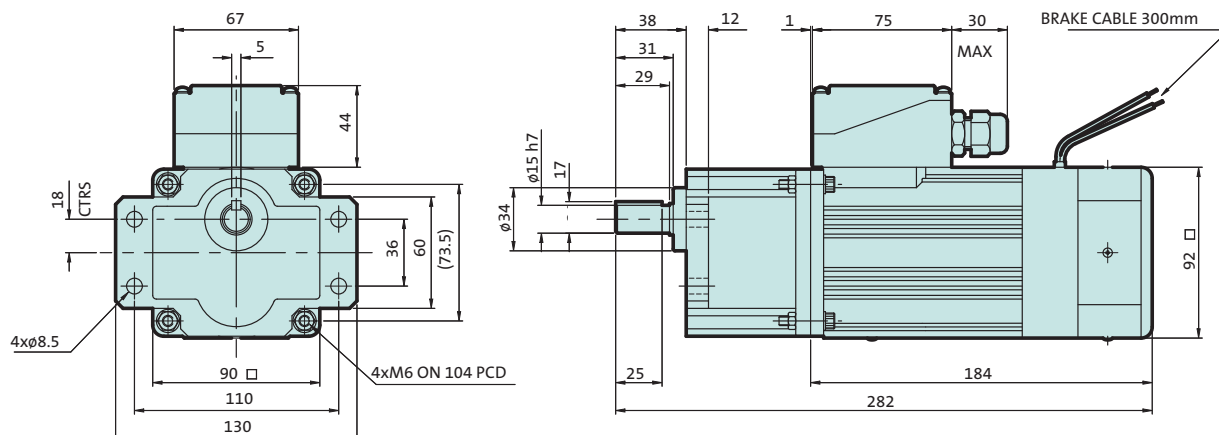
Motor details see page 38.

Lower speeds available on request.

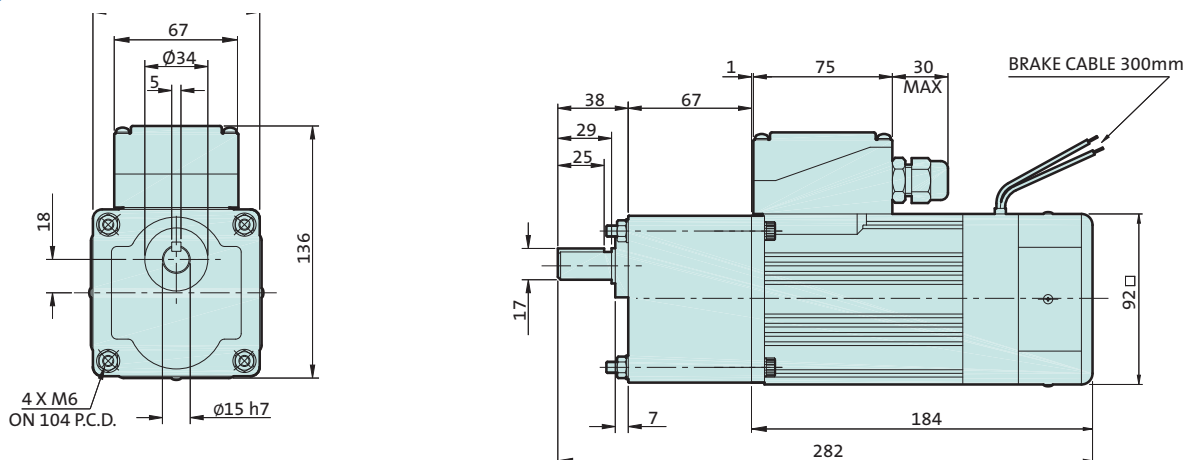
400V brake motors also available.

**90W
braked**

Flanged gearbox



Square gearbox



Ordering specification and example

Replace the letter # from the assembly number with a 'Y' for flanged gearbox or 'Z' for square gearbox as required. Examples:

100 r/min flanged with 1 phase brake motor
7.5 r/min square with 3 phase brake motor

PAN G3 090 BGG 100.0 Y K1
 PAN G3 090 BYG 007.5 Z K1

See page 7 for terminal box positions and feet.